

7

INDOOR BUS SUPPORT

NEMA CLASS A-30, 34.5 KV

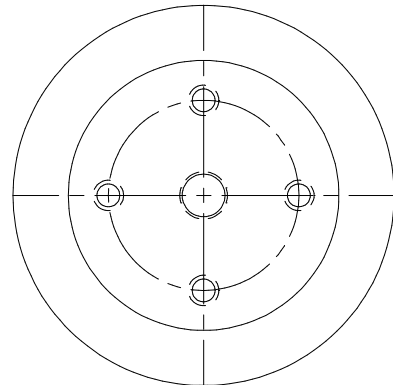
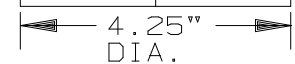
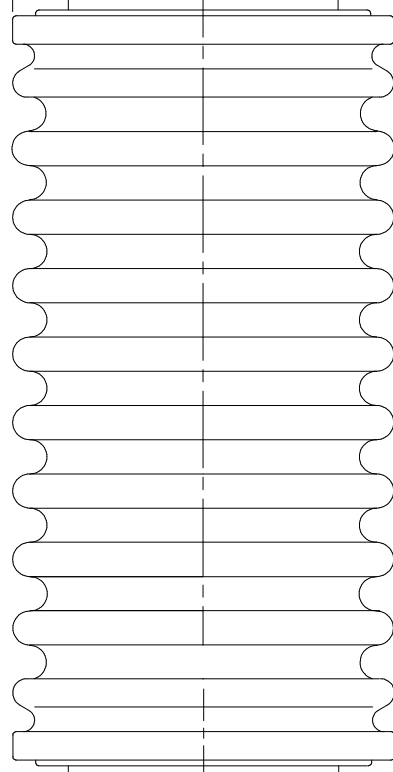
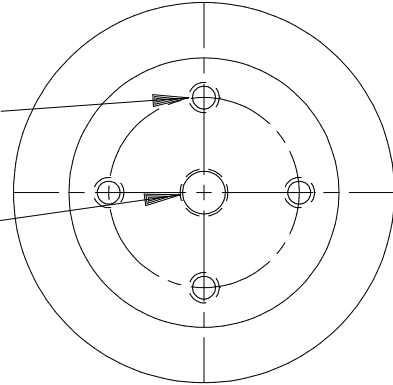
TOP & BOTTOM

4-HOLES

.50-13 N.C. ON 3" B.C.  
.625" DP.

1-CENTER HOLE

.75-10 NC. , 7/8" FULL THR'D



MECHANICAL VALUES

CANTILEVER STRENGTH	LB	1,250*
TENSILE STRENGTH	LB	5,000
TORSION STRENGTH	IN-LB	6,000
COMPRESSION STRENGTH	LB	30,000

ELECTRICAL VALUES

NEMA, VOLTAGE RATING	kV	34.5
60 HERTZ WITHSTAND-DRY	kV	80
IMPULSE WITHSTAND	kV	200

PACKING INFORMATION

PACKED WEIGHT PER 100	LB	4,000
QUANTITY PER ST'D. PACK		2

\* CANTILEVER STRENGTH GIVEN  
2 1/2" ABOVE TOP.

THIS DRAWING IS THE PROPERTY OF  
VICTOR INSULATORS, INC. AND CONTAINS  
PROPRIETARY AND CONFIDENTIAL INFORMATION  
WHICH MUST NOT BE DUPLICATED, USED,  
OR DISCLOSED OTHER THAN AS EXPRESSLY  
AUTHORIZED BY VICTOR INSULATORS, INC.



Victor Insulators, Inc.

280 MAPLE AVENUE  
VICTOR, NEW YORK 14564  
TELEPHONE: (716)924-2127

5855-35