

HIGH DENSITY POLYETHYLENE

PINTYPE INSULATOR

CAT. NO. VIP 15CT

1" PINHOLE

CLASS 55-3 EQUIVALENT

DIMENSIONS

LEAKAGE DISTANCE IN 15.8

MECHANICAL VALUES

CANTILEVER STRENGTH LB 3,000

ELECTRICAL VALUES

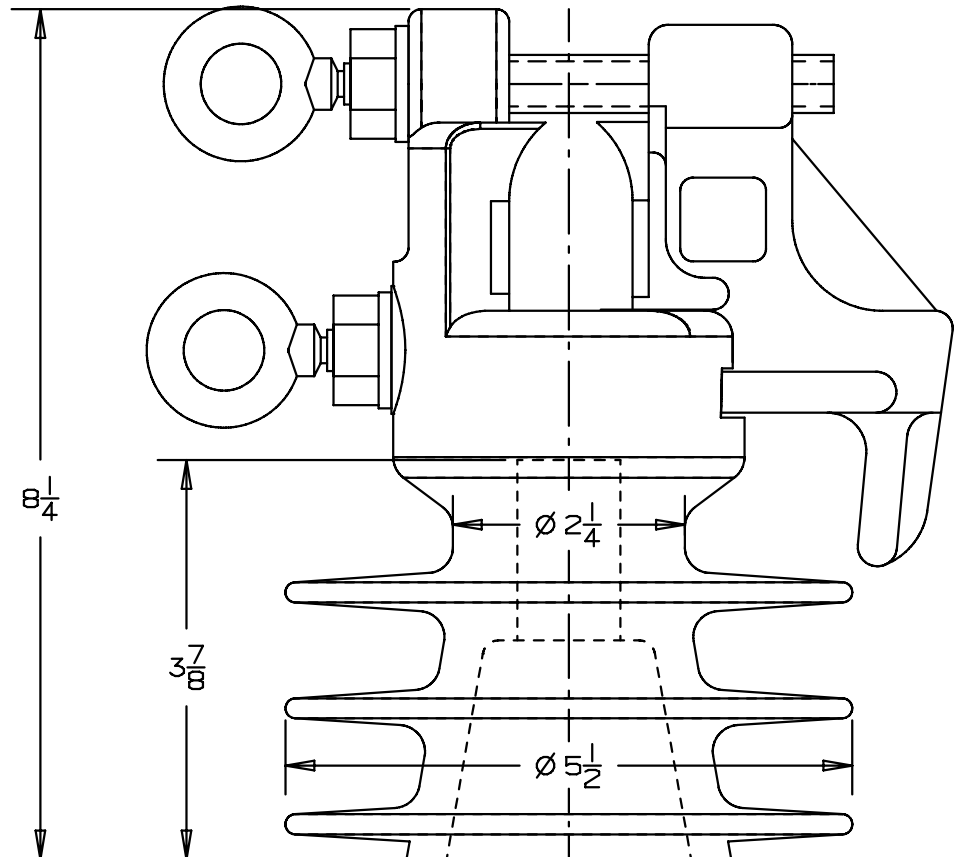
IMPULSE FLASHOVER-POS. kV 94
 IMPULSE FLASHOVER-NEG. kV 176
 60 HERTZ FLASHOVER-DRY kV 94
 60 HERTZ FLASHOVER-WET kV 46
 60 HERTZ PUNCTURE VOLTAGE kV 195

RADIO INFLUENCE VOLTAGE DATA

60 HERTZ TEST VOLTAGE TO GRD. kV 10
 MAXIMUM RIV @ 1000 kHz μ V 50

PACKING INFORMATION

NET WEIGHT , PER 100 LB 200
 PACKED WEIGHT , PER 100 LB 210
 NO. IN STANDARD PACKAGE 18



1 ENG. MGR
 2 ENG
 PURCH.
 1 MKTG.
 PLT. MGR.
 COST
 PROD.
 INSP
 GLAZE
 BUSHING
 MAKING
 SHIP
 ASSEM
 MODEL
 MACH.
 45
 TOOLING
 CER LAB
 1 EL LAB
 1 E.MEDIA

THIS DRAWING IS THE PROPERTY OF VICTOR INSULATORS, INC. AND CONTAINS PROPRIETARY AND CONFIDENTIAL INFORMATION WHICH MUST NOT BE DUPLICATED, USED, OR DISCLOSED OTHER THAN AS EXPRESSLY AUTHORIZED BY VICTOR INSULATORS, INC.

03-04-08

TM



Victor Insulators, Inc.
 280 MAPLE AVENUE
 VICTOR, NEW YORK 14564
 TELEPHONE: (585)924-2127

VIP 15CT