

HIGH DENSITY POLYETHYLENE

PINTYPE INSULATOR

CAT. NO. VIP25CT

1" PINHOLE

CLASS 55-5 EQUIVALENT

DIMENSIONS

LEAKAGE DISTANCE IN 15.8

MECHANICAL VALUES

CANTILEVER STRENGTH LB 3,000

ELECTRICAL VALUES

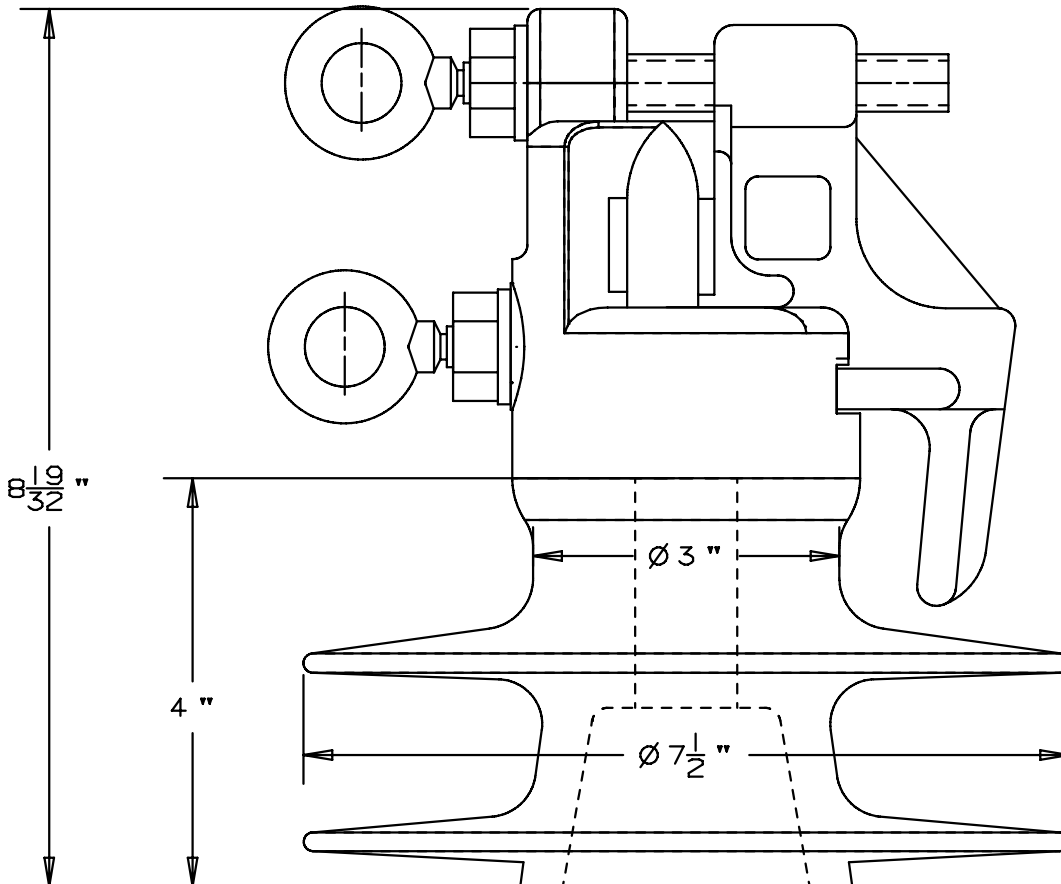
60 HERTZ FLASHOVER-DRY	kV	94
60 HERTZ FLASHOVER-WET	kV	55
IMPULSE FLASHOVER-POS	kV	153
IMPULSE FLASHOVER-NEG	kV	190
60 HERTZ PUNCTURE VOLTAGE	kV	220

RADIO INFLUENCE VOLTAGE DATA

60 HERTZ TEST VOLTAGE TO GRD.	kV	10
MAXIMUM RIV @ 1000 kHz	μ V	10

PACKING INFORMATION

NET WEIGHT , PER 100	LB
PACKED WEIGHT , PER 100	LB
NO. IN STANDARD PACKAGE	



THIS DRAWING IS THE PROPERTY OF VICTOR INSULATORS, INC. AND CONTAINS PROPRIETARY AND CONFIDENTIAL INFORMATION WHICH MUST NOT BE DUPLICATED, USED, OR DISCLOSED OTHER THAN AS EXPRESSLY AUTHORIZED BY VICTOR INSULATORS, INC.

1 ENG. MGR
2 ENG
PURCH.
1 MKTG.
PLT. MGR.
COST
PROD.
INSP
GLAZE
BUSHING
MAKING
SHIP
ASSEM
MODEL
MACH.
45
TOOLING
CER LAB
1 EL LAB
1 E. MEDIA

08-13-07

TM



Victor Insulators, Inc.

280 MAPLE AVENUE
VICTOR, NEW YORK 14564
TELEPHONE: (585)924-2127

VIP25CT