

HIGH DENSITY POLYETHYLENE	
PINTYPE INSULATOR	
CAT. NO. VIP 25F-2	
F-NECK	1 3/8" PINHOLE
CLASS 55-5	

DIMENSIONS

LEAKAGE DISTANCE IN 14.6

MECHANICAL VALUES

CANTILEVER STRENGTH LB 3,000

ELECTRICAL VALUES

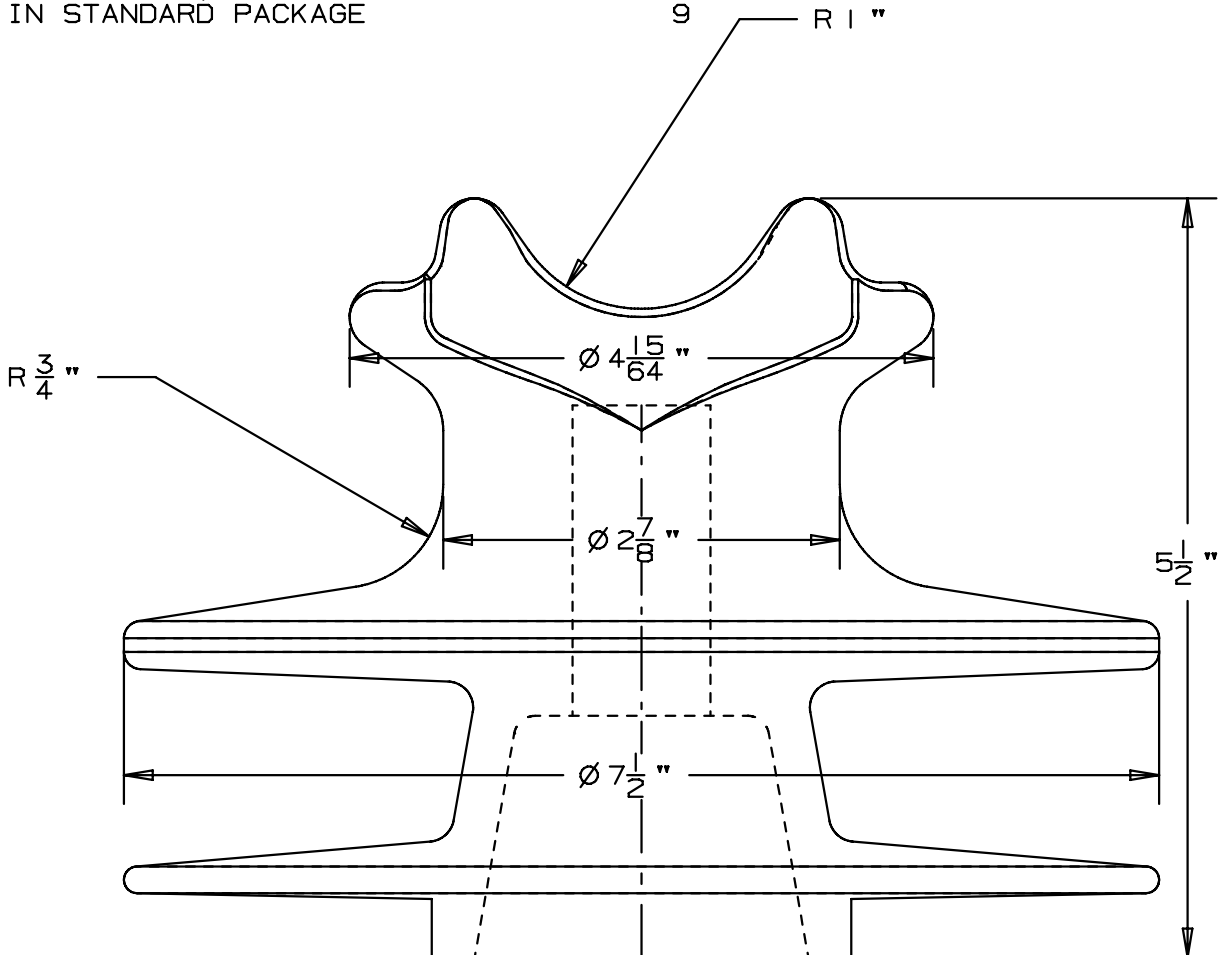
60 HERTZ FLASHOVER-DRY	kV	87
60 HERTZ FLASHOVER-WET	kV	51
IMPULSE FLASHOVER-POS	kV	144
IMPULSE FLASHOVER-NEG	kV	179
60 HERTZ PUNCTURE VOLTAGE	kV	220

RADIO INFLUENCE VOLTAGE DATA

60 HERTZ TEST VOLTAGE TO GRD.	kV	10
MAXIMUM RIV @ 1000 kHz	μV	100

PACKING INFORMATION

NET WEIGHT , PER 100	LB	2
PACKED WEIGHT , PER 100	LB	2.25
NO. IN STANDARD PACKAGE		9



THIS DRAWING IS THE PROPERTY OF VICTOR INSULATORS, INC. AND CONTAINS PROPRIETARY AND CONFIDENTIAL INFORMATION WHICH MUST NOT BE DUPLICATED, USED, OR DISCLOSED OTHER THAN AS EXPRESSLY AUTHORIZED BY VICTOR INSULATORS, INC.

- 1 ENG. MGR
- 2 ENG
- PURCH.
- 1 MKTG.
- PLT. MGR.
- COST
- PROD.
- INSP
- GLAZE
- BUSHING
- MAKING
- SHIP
- ASSEM
- MODEL
- MACH.
- 45
- TOOLING
- CER LAB
- 1 EL LAB
- 1 E.MEDIA

03-03-08

TM



Victor Insulators, Inc.
280 MAPLE AVENUE
VICTOR, NEW YORK 14564
TELEPHONE: (585)924-2127

VIP 25F-2