

20

PIN TYPE INSULATOR
 CAT. NO. 255R
 ANSI. CLASS NO. 56-4

- 1 ENG. MGR
- 2 ENG
- PURCH.
- 1 MKTG.
- PLT. MGR.
- COST
- PROD.
- INSP
- GLAZE
- BUSHING
- MAKING
- SHIP
- ASSEM
- MODEL
- MACH.
- 45
- TOOLING
- QER LAB
- 1 EL LAB
- Q. A.

DIMENSIONS

LEAKAGE DISTANCE	IN	27
DRY ARCING DISTANCE	IN	11.25
MINIMUM PIN HEIGHT	IN	10

MECHANICAL VALUES

CANTILEVER STRENGTH	LB	3,000
---------------------	----	-------

ELECTRICAL VALUES

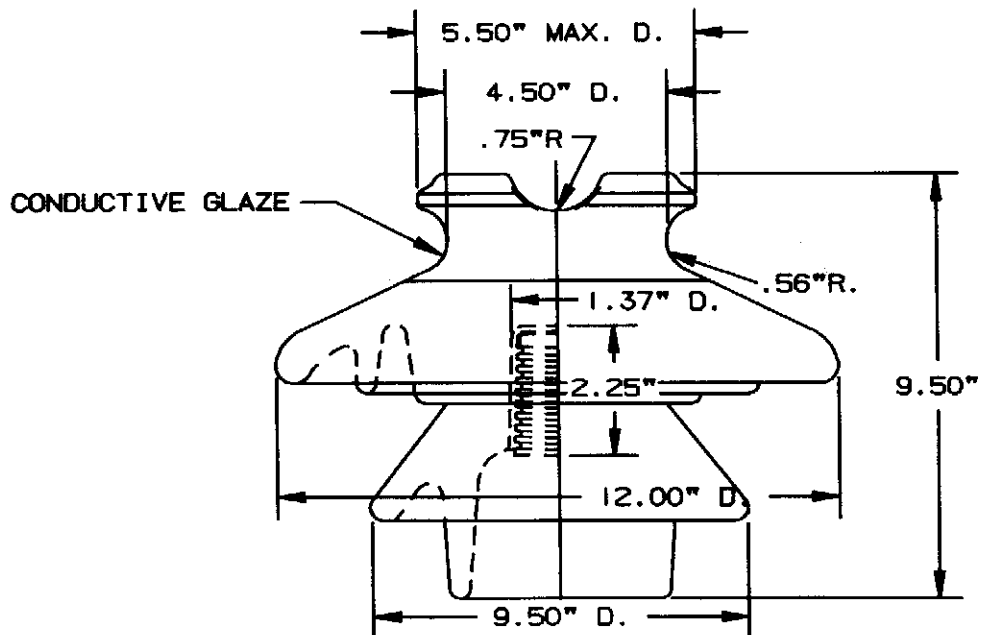
60 HERTZ FLASHOVER-DRY	kV	140
60 HERTZ FLASHOVER-WET	kV	95
IMPULSE FLASHOVER-POS.	kV	225
IMPULSE FLASHOVER-NEG.	kV	310
60 HERTZ PUNCTURE VOLTAGE	kV	185

RADIO INFLUENCE VOLTAGE DATA

60 HERTZ TEST VOLTAGE	kV	30
RMS TO GND.		
MAXIMUM RIV @ 1000 kHz		
RADIO FREED	μV	200
PLAIN	μV	16,000

PACKING INFORMATION

NET WEIGHT, PER 100	LB	1,900
PACKED WEIGHT, PER 100	LB	2,300
NO. IN STANDARD PACKAGE		1



THIS DRAWING IS THE PROPERTY OF
 VICTOR INSULATORS, INC. AND CONTAINS
 CONFIDENTIAL AND PROPRIETARY INFORMATION
 WHICH MUST NOT BE REPRODUCED OR
 DISCLOSED TO OTHERS WITHOUT THE EXPRESS
 WRITTEN AUTHORIZATION OF VICTOR INSULATORS, INC.

	Victor Insulators, Inc. 280 MAPLE AVENUE VICTOR, NEW YORK 14564 TELEPHONE: (716)924-2127	255R
--	--	------

09-30-97 TP