

30

DISTRIBUTION INSULATOR

CAT. NO. 9R

F-NECK 1" PINHOLE

ANSI CLASS 55-5

I ENG. MGR.
I ENG.
I MKTG.
I EL. LAB

DIMENSIONS

LEAKAGE DISTANCE IN 12

MECHANICAL VALUES

CANTILEVER STRENGTH LB 3,000

ELECTRICAL VALUES

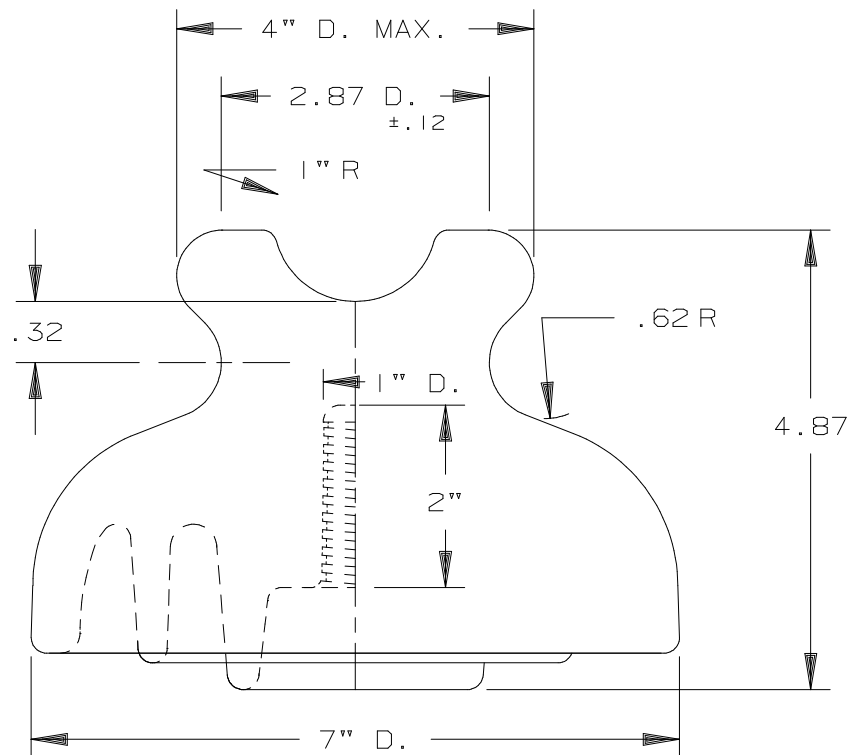
60 HERTZ FLASHOVER - DRY kV 80
 60 HERTZ FLASHOVER - WET kV 45
 IMPULSE FLASHOVER - POS. kV 130
 IMPULSE FLASHOVER - NEG kV 150
 60 HERTZ PUNCTURE VOLTAGE kV 115

RADIO INFLUENCE VOLTAGE DATA

60 HERTZ TEST VOLTAGE kV 15
 MAXIMUM RIV @ 1000 kHz μ V 100

PACKING INFORMATION

NET WEIGHT ,PER 100 LB 625
 PACKED WEIGHT ,PER 100 LB 660
 NO. IN STANDARD PACKAGE 9



THIS DRAWING IS THE PROPERTY OF VICTOR INSULATORS, INC. AND CONTAINS PROPRIETARY AND CONFIDENTIAL INFORMATION WHICH MUST NOT BE DUPLICATED, USED, OR DISCLOSED OTHER THAN AS EXPRESSLY AUTHORIZED BY VICTOR INSULATORS, INC.



Victor Insulators, Inc.
 280 MAPLE AVENUE
 VICTOR, NEW YORK 14564
 TELEPHONE: (716)924-2127

9R

10-7-94

CP PP AS A