

25

POLYMER (SILICONE) INSULATOR
 CAT. NO. 8235
 35 kV ANSI CLASS DS-35

ENG. MGR
 ENG
 PURCH.
 MKTG.
 PLT. MGR.
 COST
 PROD.
 INSP
 GLAZE
 BUSHING
 MAKING
 SHIP
 ASSEM
 MODEL
 MACH.
 45
 TOOLING
 CER LAB
 EL LAB
 G. A.

DIMENSIONS

LEAKAGE DISTANCE	IN	36.1
DRY ARCING DISTANCE	IN	15.3

MECHANICAL VALUES

SPECIFIED MECHANICAL LOAD	LB	15,000
TORSIONAL LOAD	FT-LB	40

ELECTRICAL VALUES

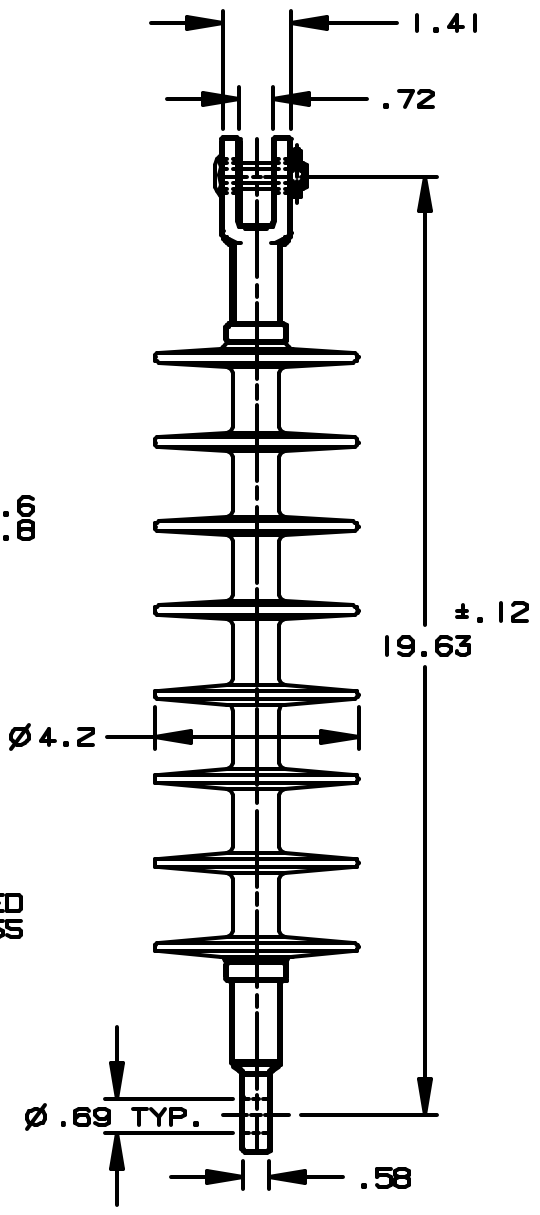
60 HERTZ FLASHOVER-DRY	kV	145
60 HERTZ FLASHOVER-WET	kV	130
IMPULSE FLASHOVER-POS.	kV	250

RADIO INFLUENCE VOLTAGE DATA

60 HERTZ TEST VOLTAGE	kV	30
MAXIMUM RIV @ 1000 kHz	μV	10

PACKING INFORMATION

NET WEIGHT ,EACH	LB	3.6
PACKED WEIGHT ,EACH	LB	3.8
NO. IN STANDARD PACKAGE		12



NOTE:
 THIS ASSEMBLY USES A GALVANIZED
 STEEL HEX COTTER BOLT AND A BRASS
 SPRING COTTER KEY.

THIS DRAWING IS THE PROPERTY OF
 VICTOR INSULATORS, INC. AND CONTAINS
 PROPRIETARY AND CONFIDENTIAL INFORMATION
 WHICH MUST NOT BE DUPLICATED, USED,
 OR DISCLOSED OTHER THAN AS EXPRESSLY
 AUTHORIZED BY VICTOR INSULATORS, INC.

	Victor Insulators, Inc. 280 MAPLE AVENUE VICTOR, NEW YORK 14564 TELEPHONE: (716) 924-2127	8235
---	--	------

03-08-02 PPI/AS