

30

STATION POST	
CAT. NO. 14PA76H	
138 kV	650 kV BIL

- 1 ENG. MGR.
- 2 ENG.
- PURCH.
- 1 MKTG.
- PLT. MGR.
- COST
- PROD.
- INSP.
- GLAZE
- BUSHING
- MAKING
- SHIP.
- ASSEM.
- MODEL
- MACH.
- 45
- TOOLING
- CER. LAB.
- 1 EL. LAB.
- Q.A.

DIMENSIONS

LEAKAGE DISTANCE IN 155

MECHANICAL VALUES

CANTILEVER STRENGTH	LB	2,200
TENSILE STRENGTH	LB	25,000
TORSION STRENGTH	IN-LB	90,000
COMPRESSION STRENGTH	LB	75,000

ELECTRICAL VALUES

IMPULSE FLASHOVER-POS.	kV	710
IMPULSE WITHSTAND	kV	650
60 HERTZ WITHSTAND-WET	kV	275

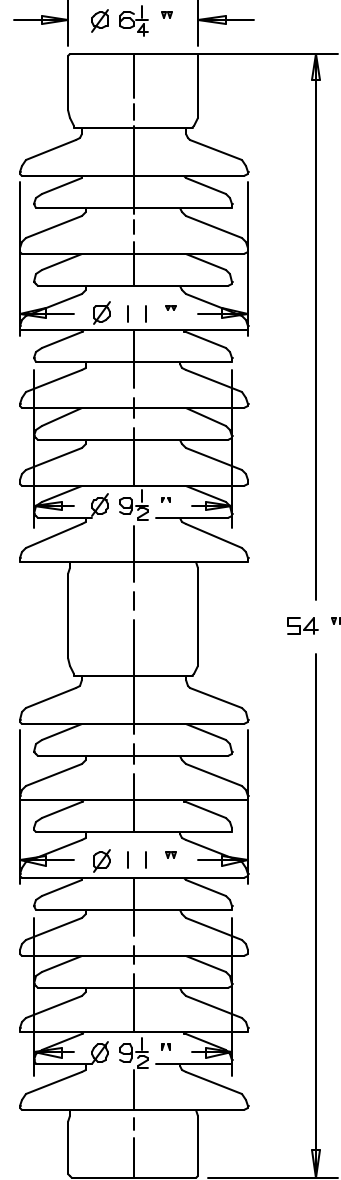
RADIO INFLUENCE VOLTAGE DATA

60 Hz. TEST VOLTAGE TO GRD.	kV	98
MAXIMUM RIV @ 1000 kHz	uV	200

PACKING INFORMATION

NET WEIGHT, COLUMN	LB	216
PACKED WEIGHT, COLUMN	LB	245
NO. IN STANDARD PACKAGE		1

4 HOLES
5/8-11 + .015" ON 5" B.C.



4 HOLES
5/8-11 + .015" ON 5" B.C.

THIS DRAWING IS THE PROPERTY OF VICTOR INSULATORS, INC. AND CONTAINS PROPRIETARY AND CONFIDENTIAL INFORMATION WHICH MUST NOT BE DUPLICATED, REPRODUCED OR DISCLOSED OTHER THAN AS EXPRESSLY AUTHORIZED BY VICTOR INSULATORS, INC.

FILE: 14PA76H

REV LEAKAGE 07-28-05 TM A



Victor Insulators, Inc.

280 MAPLE AVENUE
VICTOR, NEW YORK 14564
TELEPHONE: (585)924-2127

14PA76H