

STATION POST

CAT. NO. 15PA95

230 kV

900 kV BIL

30

ENG. MGR
 ENG
 PURCH.
 MKTG.
 PLT. MGR.
 COST
 PROD.
 INSP
 GLAZE
 BUSHING
 MAKING
 SHIP
 ASSEM
 MODEL
 MACH.
 45
 TOOLING
 CER LAB
 EL LAB
 Q. A.

DIMENSIONS

LEAKAGE DISTANCE IN 220

4 HOLES EACH END
 5/8-11 + .015" ON 5" B.C.

MECHANICAL VALUES

CANTILEVER STRENGTH LB 1,450
 TENSION STRENGTH LB 25,000
 TORSION STRENGTH IN-LB 90,000
 COMPRESSION STRENGTH LB 75,000

ELECTRICAL VALUES

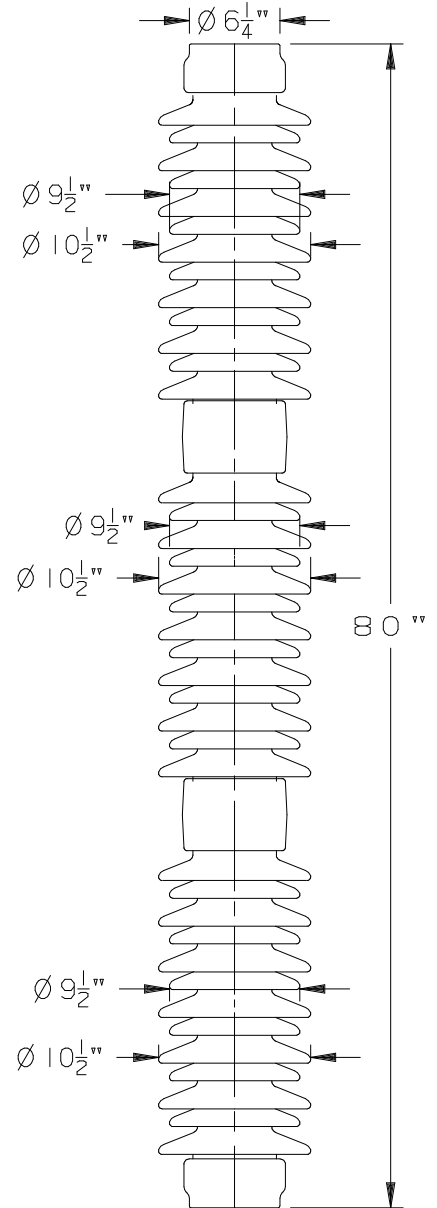
IMPULSE FLASHOVER-POS. kV 1,010
 60 HERTZ WITHSTAND-WET kV 385
 IMPULSE WITHSTAND kV 900

RADIO INFLUENCE VOLTAGE DATA

60 HERTZ TEST VOLTAGE kV 146
 MAXIMUM RIV @ 1000 kHz uV 500

PACKING INFORMATION

NET WEIGHT ,STACK LB 310
 PACKED WEIGHT ,STACK LB 325
 NO. IN STANDARD PACKAGE 1



THIS DRAWING IS THE PROPERTY OF
 VICTOR INSULATORS, INC. AND CONTAINS
 PROPRIETARY AND CONFIDENTIAL INFORMATION
 WHICH MUST NOT BE DUPLICATED, USED,
 OR DISCLOSED OTHER THAN AS EXPRESSLY
 AUTHORIZED BY VICTOR INSULATORS, INC.



Victor Insulators, Inc.
 280 MAPLE AVENUE
 VICTOR, NEW YORK 14564
 TELEPHONE: (716)924-2127

15PA95

12-16-99

DF P PA S