

30	1-20-92	BA	PP		A
	5-5-99	BA	PP		B
	7-24-01	TM	PP	AS	C

STATION POST	
CAT. NO. 16PA32	
230 kV	1050 kV BIL
TAPERED STACK	

- 1 ENG. MGR.
- 2 ENG.
- PURCH.
- 1 MKTG.
- PLT. MGR.
- COST
- PROD.
- INSP.
- GLAZE
- BUSHING
- MAKING
- SHIP.
- ASSEM.
- MODEL
- MACH.
- 45
- TOOLING
- CER. LAB.
- 1 EL. LAB.
- 1 E. MEDIA

DIMENSIONS

LEAKAGE DISTANCE IN 198

MECHANICAL VALUES

CANTILEVER STRENGTH	LB	2,000
TENSILE STRENGTH	LB	20,000
TORSION STRENGTH	IN-LB	40,000
COMPRESSION STRENGTH	LB	60,000

ELECTRICAL VALUES

IMPULSE FLASHOVER-POS.	kV	1,210
IMPULSE WITHSTAND	kV	1,050
60 HERTZ WITHSTAND-WET	kV	455

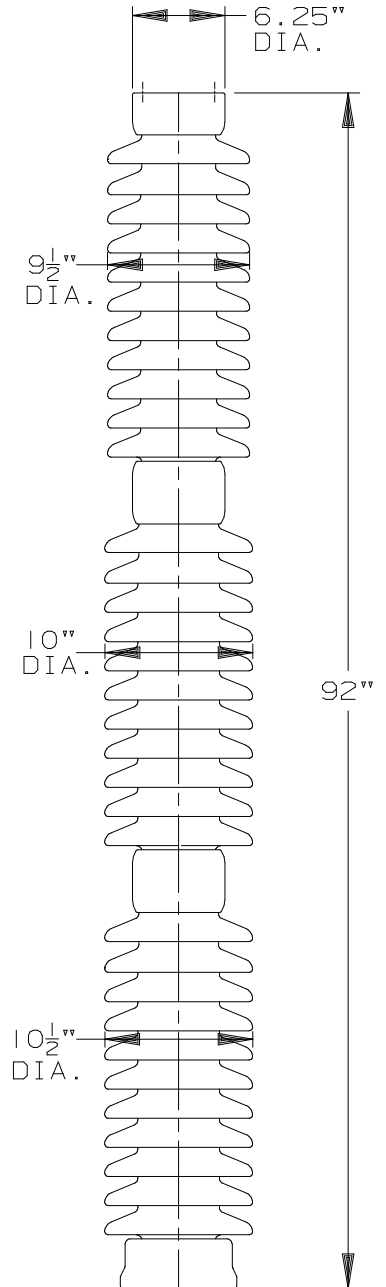
RADIO INFLUENCE VOLTAGE DATA

60 Hz. TEST VOLTAGE TO GRD.	kV	146
MAXIMUM RIV @ 1000 kHz	uV	500

PACKING INFORMATION

NET WEIGHT, COLUMN	LB	387
PACKED WEIGHT, COLUMN	LB	410
NO. IN STANDARD PACKAGE		1

4 HOLES  
5/8-11+.015" ON 5" B.C.



4 HOLES  
3/4-10 +.015" ON 7" B.C.

THIS DRAWING IS THE PROPERTY OF VICTOR INSULATORS, INC. AND CONTAINS PROPRIETARY AND CONFIDENTIAL INFORMATION WHICH MUST NOT BE DUPLICATED, USED OR DISCLOSED OTHER THAN AS EXPRESSLY AUTHORIZED BY VICTOR INSULATORS, INC.

	<b>Victor Insulators, Inc.</b> 280 MAPLE AVENUE VICTOR, NEW YORK 14564 TELEPHONE: (716) 924-2127	16PA32
---	---	--------