

BALL AND SOCKET SUSPENSION

ANSI CLASS 52-11

CAT NO: VI 52-11

DIMENSIONS

LEAKAGE DISTANCE IN 15 mm 381

MECHANICAL VALUES

M & E STRENGTH	LB	50,000	kN	222
IMPACT STRENGTH	IN-LB	90	N-m	10
TENSION PROOF	LB	25,000	kN	111

ELECTRICAL VALUES

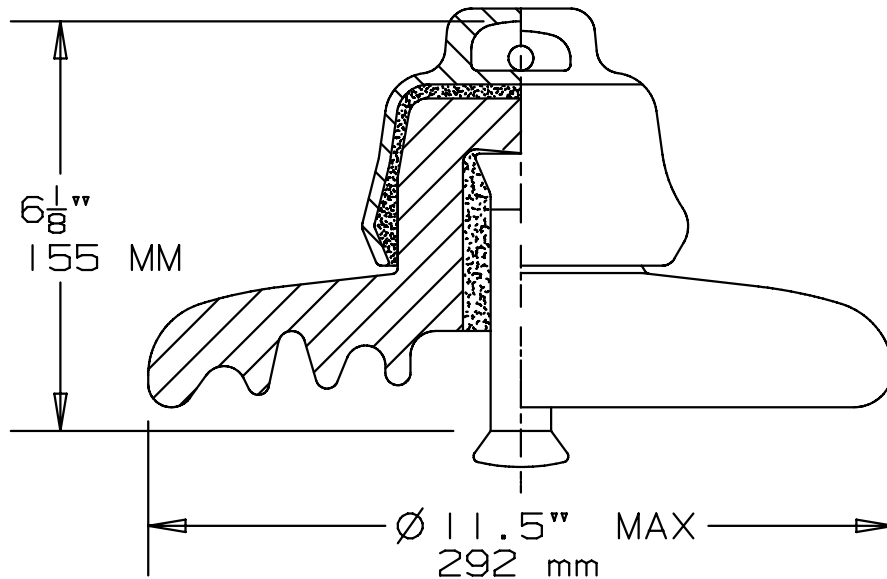
LOW FREQUENCY FLASHOVER VOLTAGE DRY	kV	80
LOW FREQUENCY FLASHOVER VOLTAGE WET	kV	50
CRITICAL IMPULSE FLASHOVER VOLTAGE POSITIVE	kV	140
CRITICAL IMPULSE FLASHOVER VOLTAGE NEG.	kV	140
LOW FREQUENCY PUNCTURE VOLTAGE	kV	125

RADIO INFLUENCE VOLTAGE DATA

LOW FREQUENCY TEST VOLTAGE	kV	10
MAXIMUM RIV @ 1000 kHz	μ V	50

PACKING INFORMATION

NET WEIGHT PER 100	LB	2646
PACKED WEIGHT PER 100	LB	2800



APPROVED
By A. E. Schwalm at 1:12 pm, May 27, 2009

05-26-09

TM

VI INSULATORS
VICTOR INSULATORS, INC.
280 MAPLE AVENUE
VICTOR, NEW YORK 14564
TELEPHONE: (585)924-2127

VI 52-11

THIS DRAWING IS THE PROPERTY OF VICTOR INSULATORS, INC. AND CONTAINS PROPRIETARY AND CONFIDENTIAL INFORMATION WHICH MUST NOT BE DUPLICATED, USED, OR DISCLOSED OTHER THAN AS EXPRESSLY AUTHORIZED BY VICTOR INSULATORS, INC.

FILE: VI 52-11