

**STATION POST**

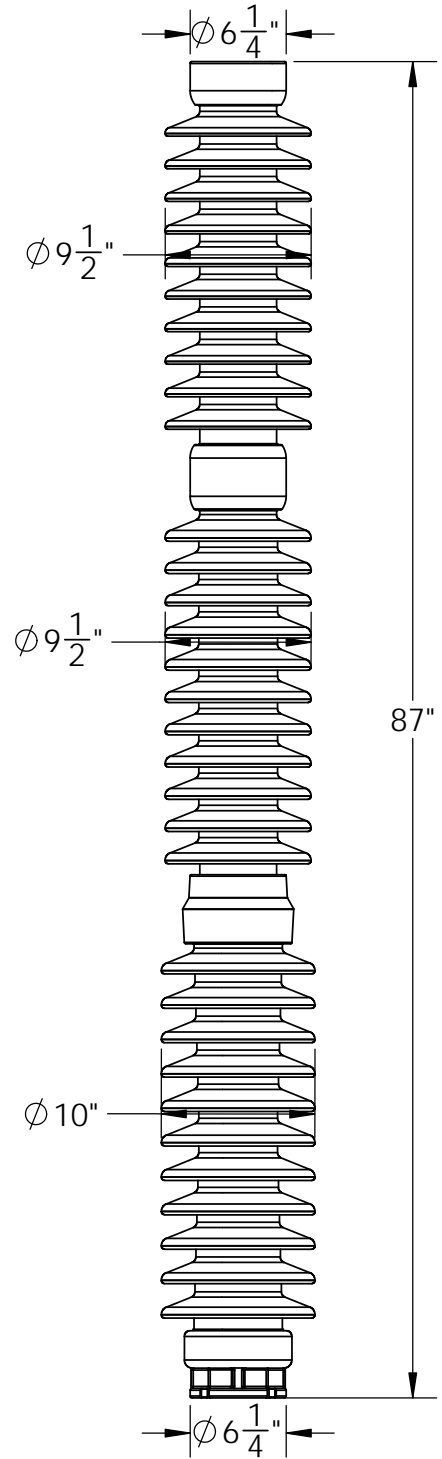
CAT. NO. 14PA49

230 kV

1,050 kV BIL

TR 176

4 HOLES 5/8"-11 +.015  
ON 5" B.C.



4 SLOTS 11/16"  
WIDE ON 5" B.C.

**DIMENSIONS:**  
LEAKAGE DISTANCE

IN 198

**MECHANICAL VALUES:**

CANTILEVER STRENGTH LB 1,170  
TENSION STRENGTH LB 25,000  
TORSION STRENGTH IN-LB 90,000  
COMPRESSION STRENGTH LB 75,000

**ELECTRICAL VALUES:**

IMPULSE FLASHOVER-POSITIVE kV 1,210  
60 HERTZ WITHSTAND-WET kV 455  
IMPULSE WITHSTAND kV 1,050

**RADIO INFLUENCE VOLTAGE DATA:**

60 HERTZ TEST VOLTAGE TO GROUND kV 146  
MAXIMUM R.I.V. @ 1000 kHz  $\mu$ V 500

**PACKAGING INFORMATION:**

NET WEIGHT, LB 295  
PACKED WEIGHT LB 315  
NO. IN STANDARD PACKAGE 1

- 1 ENG. MGR
- 2 ENG
- PURCH.
- 1 MKTG.
- PLT.MGR.
- COST
- PRD.
- INSP
- GLAZE
- BUSHING
- MAKING
- SHIP
- ASSEM
- MODEL
- MACH.
- 45
- TOOLING
- CER LAB
- 1 EL LAB
- 1 E.MEDIA

THIS DRAWING IS THE PROPERTY OF VICTOR INSULATORS, INC. AND CONTAINS PROPRIETARY AND CONFIDENTIAL INFORMATION WHICH MUST NOT BE DUPLICATED, USED, OR DISCLOSED OTHER THAN AS EXPRESSLY AUTHORIZED BY VICTOR INSULATORS, INC.

**APPROVED**  
By A. E. Schwalm at 12:49 pm, Aug 11, 2016

08-11-16

TM



**Victor Insulators, Inc.**  
280 Maple Avenue  
Victor, New York 14564  
Telephone: (585)924-2127  
www.victorinsulators.com

**14PA49**