

30

STATION POST	
CAT. NO. 1502	
46 kV	250 kV BIL
TR 13	

DIMENSIONS

LEAKAGE DISTANCE IN 45

MECHANICAL VALUES

CANTILEVER STRENGTH LB 2,000
 TENSILE STRENGTH LB 8,000
 TORSION STRENGTH IN-LB 12,000
 COMPRESSION STRENGTH LB 15,000

ELECTRICAL VALUES

CRITICAL IMPULSE FLASHOVER, POS. kV 280
 CRITICAL IMPULSE FLASHOVER, NEG. kV 340
 LOW-FREQUENCY WET FLASHOVER kV 125
 LOW-FREQUENCY DRY FLASHOVER kV 170
 LOW-FREQUENCY WET WITHSTAND kV 100
 LOW-FREQUENCY DRY WITHSTAND kV 120
 IMPULSE WITHSTAND kV 250

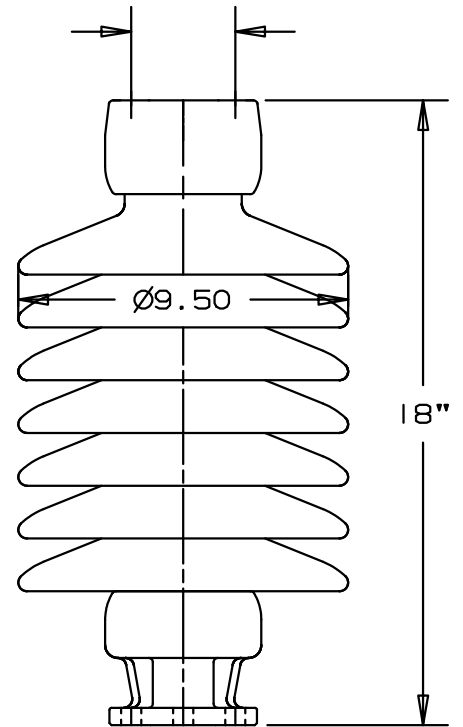
4 TAPPED HOLES
 1/2-13 +.015" ON 3" B.C.
 WITH .625" THREAD
 ENGAGEMENT

RADIO INFLUENCE VOLTAGE DATA

60 HERTZ TEST VOLTAGE kV 30
 MAXIMUM RIV @ 1000 kHz μ V 200

PACKING INFORMATION

NET WEIGHT, EACH LB 52.3
 PACKED WEIGHT, EACH LB 56.8
 NO. IN STANDARD PACKAGE 1



4 SLOTS
 .58" WIDE, .87" DEEP
 3" B.C.

THIS DRAWING IS THE PROPERTY OF
 VICTOR INSULATORS, INC. AND CONTAINS
 PROPRIETARY AND CONFIDENTIAL INFORMATION
 WHICH MUST NOT BE DUPLICATED, USED,
 OR DISCLOSED OTHER THAN AS EXPRESSLY
 AUTHORIZED BY VICTOR INSULATORS, INC.

APPROVED
By A. E. Schwalm at 3:18 pm, Jun 09, 2010

05-26-10	TM		B
04-01-03	TM	AS	A
06-05-01		PP AS	



Victor Insulators, Inc.
 280 MAPLE AVENUE
 VICTOR, NEW YORK 14564
 TELEPHONE: (585)924-2127

1502