

30

STATION POST	
CAT. NO. 1529	
22kV	200 kV BIL
REPLACEMENT FOR TR 49	

- 1 ENG. MGR
- 2 ENG
- PURCH.
- 1 MKTG.
- PLT.MGR.
- COST
- PROD.
- INSP
- GLAZE
- BUSHING
- MAKING
- SHIP
- ASSEM
- MODEL
- MACH.
- 45
- TOOLING
- CER LAB
- 1 EL LAB
- 1 E. MEDIA

DIMENSIONS

LEAKAGE DISTANCE IN 28

MECHANICAL VALUES

CANTILEVER STRENGTH (UPRIGHT) LB 4,000
 CANTILEVER STRENGTH (INVERTED) LB 4,000
 TENSION STRENGTH LB 20,000
 TORSION STRENGTH IN-LB 20,000
 COMPRESSION STRENGTH LB 30,000

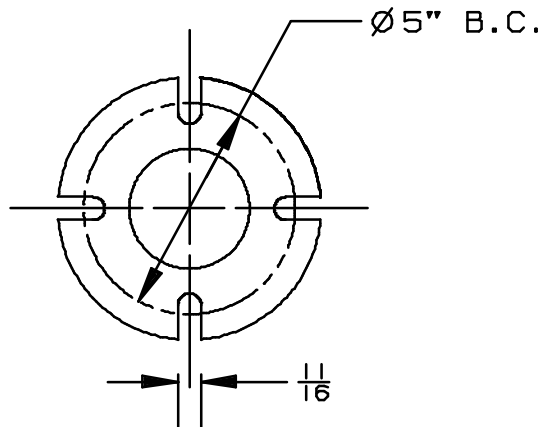
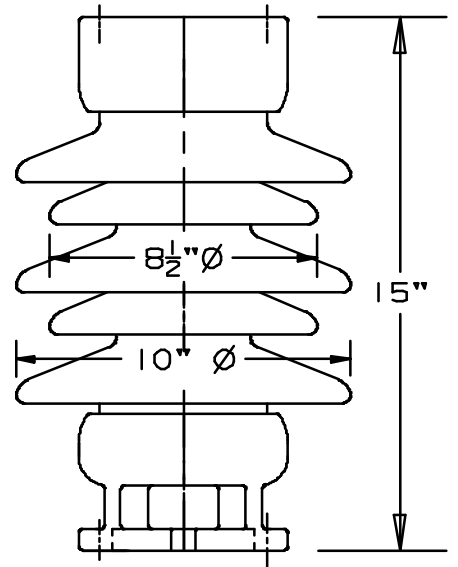
ELECTRICAL VALUES

IMPULSE FLASHOVER-POS. kV 225
 60 HERTZ WITHSTAND-WET kV 80
 IMPULSE WITHSTAND kV 200

PACKING INFORMATION

NET WEIGHT ,EACH LB 78
 PACKED WEIGHT ,EACH LB 83
 NO. IN STANDARD PACKAGE 1

4 HOLES
 $\frac{5}{8}$ -11 + .015 ON 5" B.C.



BOTTOM VIEW OF BASE HARDWARE

THIS DRAWING IS THE PROPERTY OF VICTOR INSULATORS, INC. AND CONTAINS PROPRIETARY AND CONFIDENTIAL INFORMATION WHICH MUST NOT BE DUPLICATED, USED, OR DISCLOSED OTHER THAN AS EXPRESSLY AUTHORIZED BY VICTOR INSULATORS, INC.

	Victor Insulators, Inc. 280 MAPLE AVENUE VICTOR, NEW YORK 14564 TELEPHONE: (716)924-2127	1529
	08/06/02 PP	