

STATION POST

138 kV

650 kV BIL

I ENG. MGR.
I ENG.
I MKTG.
I EL. LAB

DIMENSIONS

LEAKAGE DISTANCE IN 116

4 HOLES
1/2-13 ±.015 ON 3" B.C.

MECHANICAL VALUES

CANTILEVER STRENGTH LB 1,450
TENSION STRENGTH LB 20,000
TORSION STRENGTH IN-LB 40,000
COMPRESSION STRENGTH LB 60,000

ELECTRICAL VALUES

IMPULSE FLASHOVER-POS. kV 710
60 HERTZ WITHSTAND-WET kV 275
IMPULSE WITHSTAND kV 650

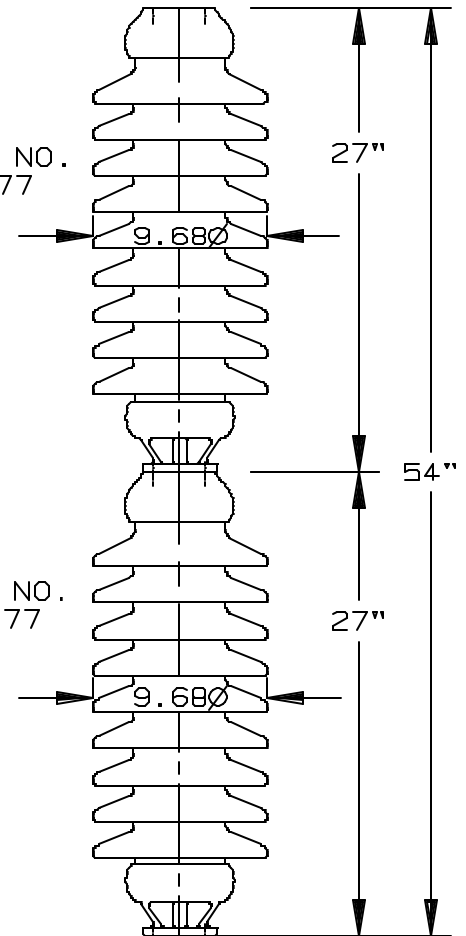
CAT. NO.
1777

RADIO INFLUENCE VOLTAGE DATA

60 HERTZ TEST VOLTAGE kV 88
MAXIMUM RIV @ 1000 kHz μV 200

PACKING INFORMATION

NET WEIGHT, STACK LB 204
PACKED WEIGHT, STACK LB 216
NO. IN STANDARD PACKAGE 1/2



4 SLOTS
9/16" WIDE ON 3" B.C.

THIS DRAWING IS THE PROPERTY OF VICTOR INSULATORS, INC. AND CONTAINS PROPRIETARY AND CONFIDENTIAL INFORMATION WHICH MUST NOT BE DUPLICATED, USED, OR DISCLOSED OTHER THAN AS EXPRESSLY AUTHORIZED BY VICTOR INSULATORS, INC.

REPLACEMENT FOR TR 170 CAP & PIN

WAS SK-2-3-95	6-3-96	RR		A
2-27-95		TP		



Victor Insulators, Inc.
280 MAPLE AVENUE
MAIL: P.O. BOX B, VICTOR, NEW YORK 14564
TELEPHONE: (716)924-2127

1535