

30

STATION POST	
CAT. NO. 1543	
46kV	250 kV BIL
REPLACEMENT FOR TR 53	

- 1 ENG. MGR
- 2 ENG
- PURCH.
- 1 MKTG.
- PLT.MGR.
- COST
- PROD.
- INSP
- GLAZE
- BUSHING
- MAKING
- SHIP
- ASSEM
- MODEL
- MACH.
- 45
- TOOLING
- CER LAB
- 1 EL LAB
- 1 E. MEDIA

DIMENSIONS

LEAKAGE DISTANCE IN 40

MECHANICAL VALUES

CANTILEVER STRENGTH (UPRIGHT) LB 4,000
 CANTILEVER STRENGTH (INVERTED) LB 4,000
 TENSION STRENGTH LB 20,000
 TORSION STRENGTH IN-LB 40,000
 COMPRESSION STRENGTH LB 60,000

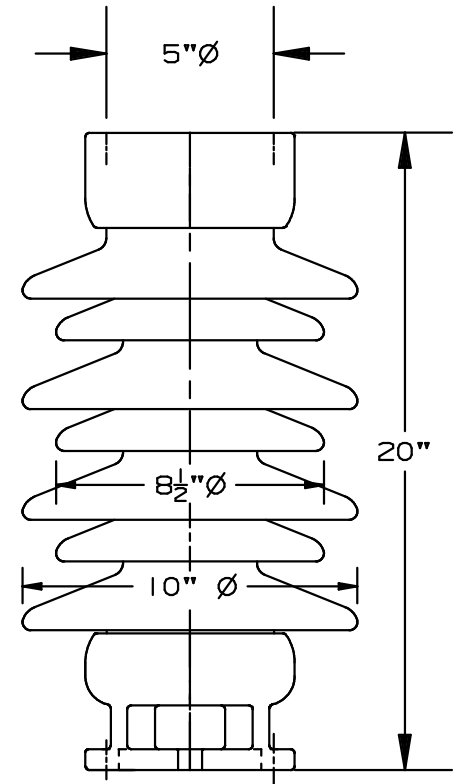
ELECTRICAL VALUES

IMPULSE FLASHOVER-POS. kV 280
 60 HERTZ WITHSTAND-WET kV 100
 IMPULSE WITHSTAND kV 250

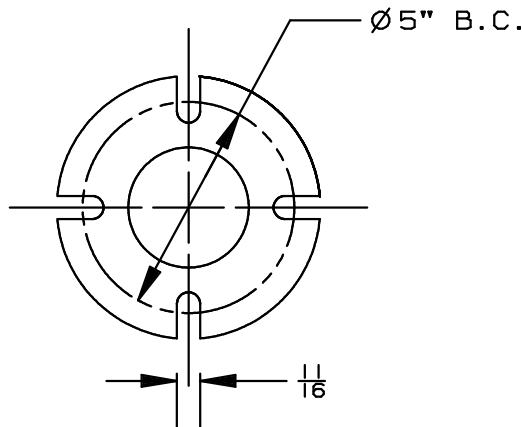
PACKING INFORMATION

NET WEIGHT ,EACH LB 60
 PACKED WEIGHT ,EACH LB 70
 NO. IN STANDARD PACKAGE 1

4 HOLES
 $\frac{5}{16}$ " - 11 + .015 ON 5" B.C.



4 HOLES
 $\frac{11}{16}$ " \varnothing ON 5" B.C.



BOTTOM VIEW OF BASE HARDWARE

THIS DRAWING IS THE PROPERTY OF VICTOR INSULATORS, INC. AND CONTAINS PROPRIETARY AND CONFIDENTIAL INFORMATION WHICH MUST NOT BE DUPLICATED, USED, OR DISCLOSED OTHER THAN AS EXPRESSLY AUTHORIZED BY VICTOR INSULATORS, INC.

8-8-01	TM		A
11-07-97	RR	IK	AS



Victor Insulators, Inc.
 280 MAPLE AVENUE
 VICTOR, NEW YORK 14564
 TELEPHONE: (716)924-2127

1543