

30

STATION POST

CAT. NO. 1587

23 kV

150 kV BIL

AMTRAK "2T"

ENG. MGR
 ENG
 PURCH.
 MKTG.
 PLT. MGR.
 COST
 PROD.
 INSP
 GLAZE
 BUSHING
 MAKING
 SHIP
 ASSEM
 MODEL
 MACH.
 45
 TOOLING
 CER LAB
 EL LAB
 Q. A.

DIMENSIONS

LEAKAGE DISTANCE IN 26.5

MECHANICAL VALUES

CANTILEVER STRENGTH (UPRIGHT) LB 3,000
 CANTILEVER STRENGTH (INVERTED) LB 2,400
 TENSION STRENGTH LB 12,000
 TORSION STRENGTH IN-LB 20,000
 COMPRESSION STRENGTH LB 25,000

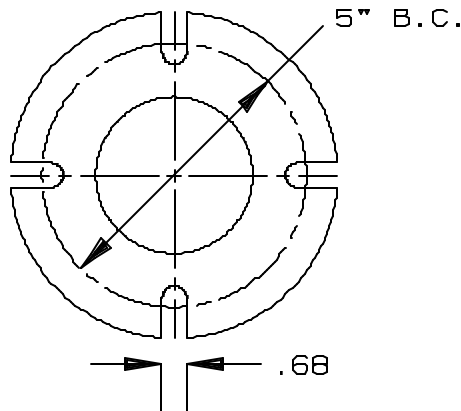
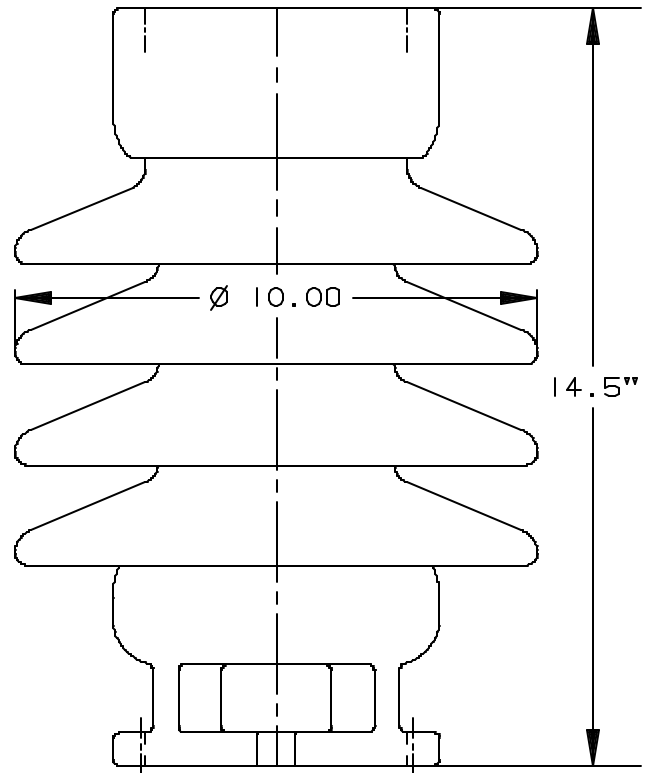
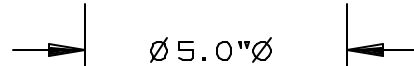
ELECTRICAL VALUES

IMPULSE FLASHOVER-POS. kV 170
 60 HERTZ FLASHOVER-WET kV 75
 60 HERTZ FLASHOVER-DRY kV 110

PACKING INFORMATION

NET WEIGHT, EACH LB 47
 PACKED WEIGHT, EACH LB 53
 NO. IN STANDARD PACKAGE 1

4 HOLES
 5/8-11 +.015" ON 5" B.C.



BOTTOM VIEW OF BASE HARDWARE

4 SLOTS
 11/16" WIDE ON 5" B.C.

THIS DRAWING IS THE PROPERTY OF VICTOR INSULATORS, INC. AND CONTAINS PROPRIETARY AND CONFIDENTIAL INFORMATION WHICH MUST NOT BE DUPLICATED, USED, OR DISCLOSED OTHER THAN AS EXPRESSLY AUTHORIZED BY VICTOR INSULATORS, INC.

08-07-96	MM	PP		
05-30-96	TP	PP		
04-19-96	RR	PP		



Victor Insulators, Inc.

290 MAPLE AVENUE
 MAIL: P.O. BOX B, VICTOR, NEW YORK 14564
 TELEPHONE: (716) 924-2127

1587