

| | |
|-----------------|------------|
| STATION POST | |
| CAT. NO. | 15PA40 |
| 161 kV | 900 kV BIL |
| REPLACES TR 126 | |

- 1 ENG. MGR.
- 2 ENG.
- PURCH.
- 1 MKTG.
- PLT. MGR.
- COST
- PROD.
- INSP.
- GLAZE
- BUSHING
- MAKING
- SHIP.
- ASSEM.
- MODEL
- MACH.
- 45
- TOOLING
- CER. LAB.
- EL. LAB.
- E. MEDIA

DIMENSIONS

LEAKAGE DISTANCE IN 157

4 HOLES
5/8-11 + .015" ON 5" B.C.

MECHANICAL VALUES

CANTILEVER STRENGTH LB 950
 TENSION STRENGTH LB 20,000
 TORSION STRENGTH IN-LB 40,000
 COMPRESSION STRENGTH LB 60,000

ELECTRICAL VALUES

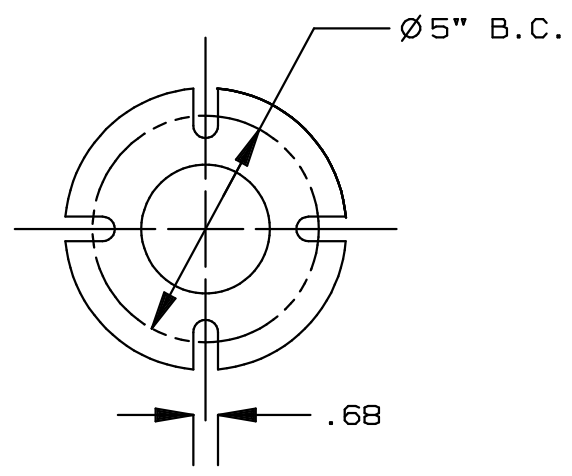
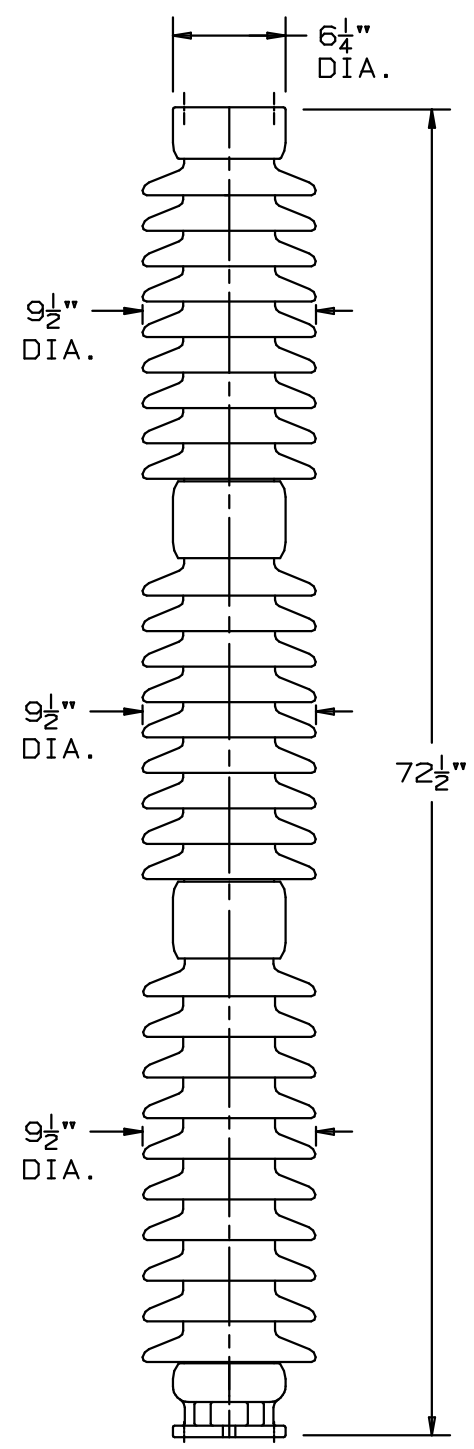
IMPULSE FLASHOVER-POS. kV 1,410
 60 HERTZ WITHSTAND-WET kV 525
 IMPULSE WITHSTAND kV 1,300

RADIO INFLUENCE VOLTAGE DATA

60 HERTZ TEST VOLTAGE kV 220
 MAXIMUM RIV @ 1000 kHz uV 1,000

PACKING INFORMATION

NET WEIGHT ,STACK LB 250
 PACKED WEIGHT ,STACK LB 288
 NO. IN STANDARD PACKAGE 1



BOTTOM VIEW OF BASE HARDWARE

4 SLOTS
1/16 WIDE x 1" ON 5" B.C.

THIS DRAWING IS THE PROPERTY OF VICTOR INSULATORS, INC. AND CONTAINS PROPRIETARY AND CONFIDENTIAL INFORMATION WHICH MUST NOT BE DUPLICATED, USED, OR DISCLOSED OTHER THAN AS EXPRESSLY AUTHORIZED BY VICTOR INSULATORS, INC.

APPROVED
By A. E. Schwalm at 7:58 am, Jun 06, 2012

| | | | | |
|---------|----|----|----|---|
| 7-24-01 | TM | PP | AS | A |
| 3-2-93 | RR | PP | | |



Victor Insulators, Inc.
 280 MAPLE AVENUE
 VICTOR, NEW YORK 14564
 TELEPHONE: (585)924-2127

15PA40