

STATION POST

115 kV                      550 kV BIL

- 1 ENG. MGR.
- 2 ENG.
- 1 MKTG.
- 1 EL. LAB
- 1 E.MEDIA

DIMENSIONS

LEAKAGE DISTANCE                      IN                      99

MECHANICAL VALUES

CANTILEVER STRENGTH                      LB                      1,700  
 TENSION STRENGTH                      LB                      20,000  
 TORSION STRENGTH                      IN-LB                      40,000  
 COMPRESSION STRENGTH                      LB                      60,000

ELECTRICAL VALUES

IMPULSE FLASHOVER-POS.                      kV                      610  
 60 HERTZ WITHSTAND-WET                      kV                      230  
 IMPULSE WITHSTAND                      kV                      550

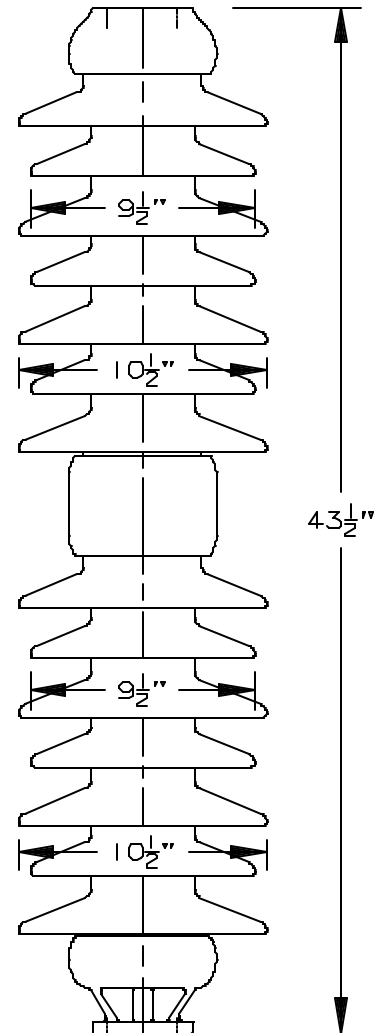
RADIO INFLUENCE VOLTAGE DATA

60 HERTZ TEST VOLTAGE                      kV                      73  
 MAXIMUM RIV @ 1000 kHz                      μV                      200

PACKING INFORMATION

NET WEIGHT , COLUMN                      LB                      154  
 PACKED WEIGHT , COLUMN                      LB                      172  
 NO. IN STANDARD PACKAGE                      1


4 HOLES  
 $\frac{1}{2}$ "-13 ±.015 ON 3" B.C.



REPLACEMENT FOR TR 167 CAP & PIN

4 SLOTS  
 $\frac{9}{16}$ " WIDE ON 3" B.C.

THIS DRAWING IS THE PROPERTY OF VICTOR INSULATORS, INC. AND CONTAINS PROPRIETARY AND CONFIDENTIAL INFORMATION WHICH MUST NOT BE DUPLICATED, USED, OR DISCLOSED OTHER THAN AS EXPRESSLY AUTHORIZED BY VICTOR INSULATORS, INC.

7-24-01	TM			B		<b>Victor Insulators, Inc.</b> 280 MAPLE AVENUE VICTOR, NEW YORK 14564 TELEPHONE: (716)924-2127	15PA33
WAS SK-2-1-95 5-31-96	RR	PP	A				
2-27-95	TP	PP					