

30

STATION POST	
CAT. NO.	15PA34
138kV	650 kV BIL
REPLACES TR 22	

DIMENSIONS

LEAKAGE DISTANCE IN 106

MECHANICAL VALUES

CANTILEVER STRENGTH LB 1,450
 TENSION STRENGTH LB 20,000
 TORSION STRENGTH IN-LB 40,000
 COMPRESSION STRENGTH LB 60,000

ELECTRICAL VALUES

IMPULSE FLASHOVER-POS. kV 710
 60 HERTZ WITHSTAND-WET kV 275
 IMPULSE WITHSTAND kV 650

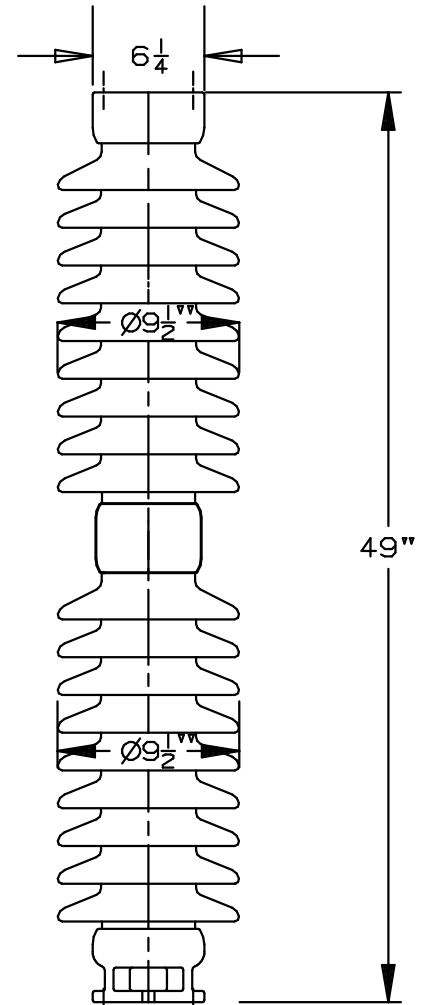
RADIO INFLUENCE VOLTAGE DATA

60 HERTZ TEST VOLTAGE kV 88
 MAXIMUM RIV @ 1000 kHz kV 200

PACKING INFORMATION

NET WEIGHT ,EACH LB 162
 PACKED WEIGHT ,EACH LB 172
 NO. IN STANDARD PACKAGE 1

4 HOLES
 $\frac{5}{8}$ -11 ±.015 ON 5" B.C.



4 SLOTS
 $\frac{11}{16}$ " WIDE ON 5" B.C.

THIS DRAWING IS THE PROPERTY OF VICTOR INSULATORS, INC. AND CONTAINS PROPRIETARY AND CONFIDENTIAL INFORMATION WHICH MUST NOT BE DUPLICATED, USED, OR DISCLOSED OTHER THAN AS EXPRESSLY AUTHORIZED BY VICTOR INSULATORS, INC.

APPROVED

By A. E. Schwalm at 7:56 am, Jun 06, 2012

06-05-12	TM			B		Victor Insulators, Inc. 280 MAPLE AVENUE VICTOR, NEW YORK 14564 TELEPHONE: (585)924-2127	15PA34
7-24-01	TM	PP	AS	A			
11-17-97	FD						