

30

PEDESTAL POST	
CAT. NO. 1623	
73 kV	550 kV BIL
TR. NO. 173	

- 1 ENG. MGR
- 2 ENG
- PURCH.
- 1 MKTG.
- PLT.MGR.
- COST
- PROD.
- INSP
- GLAZE
- BUSHING
- MAKING
- SHIP
- ASSEM
- MODEL
- MACH.
- 45
- TOOLING
- GER LAB
- 1 EL LAB
- 1 E. MEDIA

DIMENSIONS

LEAKAGE DISTANCE IN 99

MECHANICAL VALUES

CANTILEVER STRENGTH, UPRIGHT	LB	2,900
CANTILEVER STRENGTH, UNDERHUNG	LB	2,350
TENSION STRENGTH	LB	20,000
TORSION STRENGTH	IN-LB	40,000
COMPRESSION STRENGTH	LB	60,000

ELECTRICAL VALUES

IMPULSE FLASHOVER-POS.	kV	610
60 HERTZ WITHSTAND-WET	kV	230
IMPULSE WITHSTAND	kV	550

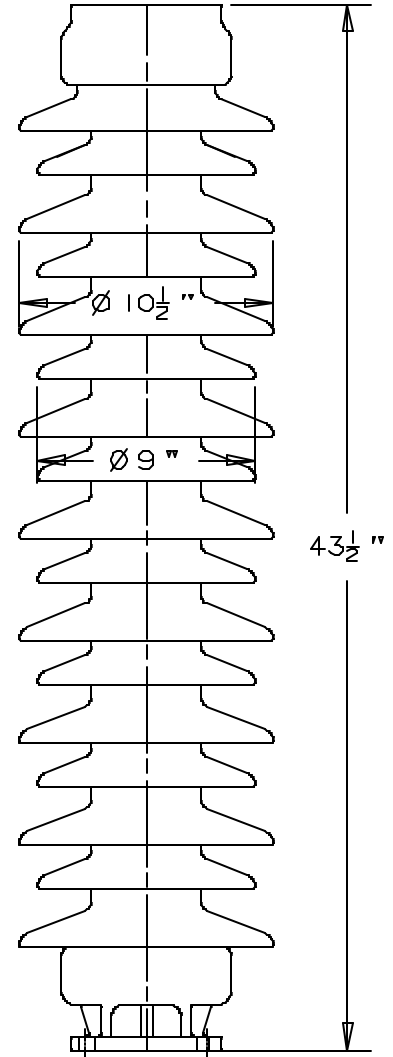
RADIO INFLUENCE VOLTAGE DATA

60 HERTZ TEST VOLTAGE	kV	73
MAXIMUM RIV @ 1000 KHz	μV	200

PACKING INFORMATION

NET WEIGHT ,EACH	LB	141
PACKED WEIGHT ,EACH	LB	159
NO. IN STANDARD PACKAGE		1

4 HOLE
5/8"-11 ±.015 ON 5" B.C.



4 SLOTS
1/16" WIDE ON 5" B.C.

THIS DRAWING IS THE PROPERTY OF VICTOR INSULATORS, INC. AND CONTAINS PROPRIETARY AND CONFIDENTIAL INFORMATION WHICH MUST NOT BE DUPLICATED, USED, OR DISCLOSED OTHER THAN AS EXPRESSLY AUTHORIZED BY VICTOR INSULATORS, INC.

D6-03-04

TM

AS



Victor Insulators, Inc.
280 MAPLE AVENUE
VICTOR, NEW YORK 14564
TELEPHONE: (585)924-2127

1623