

30

STATION POST	
CAT. NO. 1689	
23 kV	150 kV BIL
TR NO. 7	

DIMENSIONS

ENG. MGR. LEAKAGE DISTANCE IN 20

MECHANICAL VALUES

ENG.  
MKTG.  
EL. LAB  
EL. MEDIA

CANTILEVER STRENGTH LB 2,000  
TENSION STRENGTH LB 5,000  
TORSION STRENGTH IN-LB 8,000  
COMPRESSION STRENGTH LB 10,000

ELECTRICAL VALUES

IMPULSE FLASHOVER-POS. kV 170  
60 HERTZ WITHSTAND-WET kV 60  
IMPULSE WITHSTAND kV 150

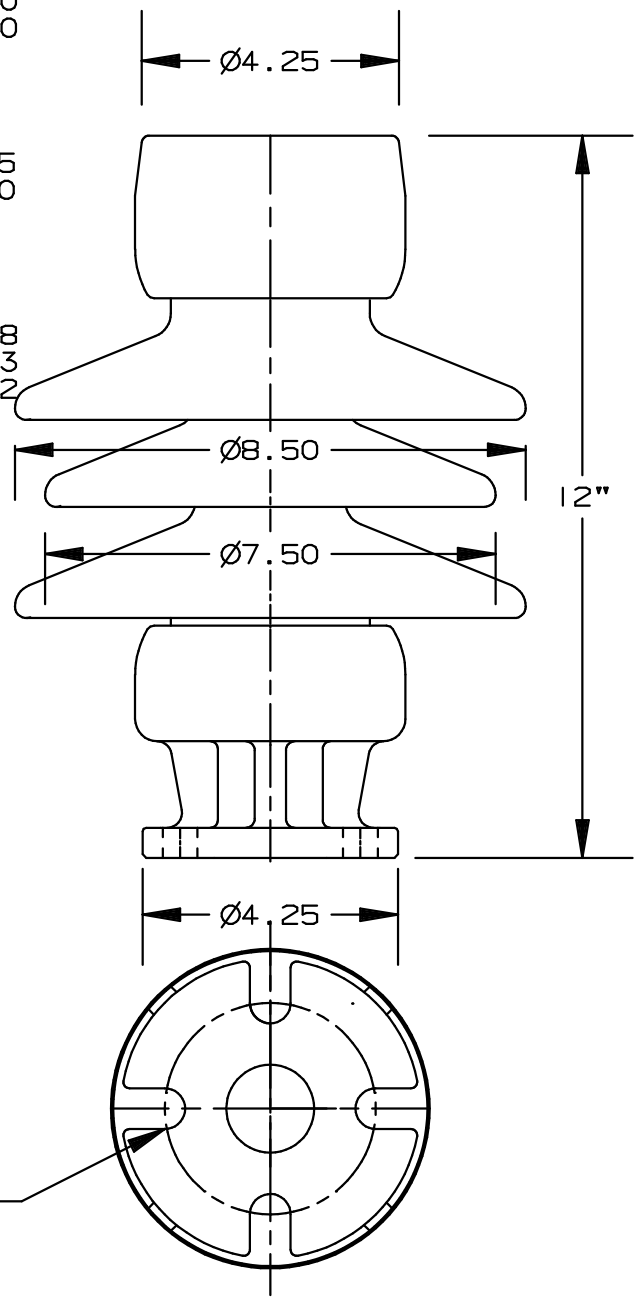
4 TAPPED HOLES  
1/2-13 +.015 ON 3" B.C.  
WITH .62 FULL THREAD

RADIO INFLUENCE VOLTAGE DATA

60 HERTZ TEST VOLTAGE kV 15  
MAXIMUM RIV @ 1000 kHz  $\mu$ V 100

PACKING INFORMATION

NET WEIGHT, EACH LB 28  
PACKED WEIGHT LB 33  
NO. IN STANDARD PACKAGE 2



THIS DRAWING IS THE PROPERTY OF VICTOR INSULATORS, INC. AND CONTAINS PROPRIETARY AND CONFIDENTIAL INFORMATION WHICH MUST NOT BE DUPLICATED, USED, OR DISCLOSED OTHER THAN AS EXPRESSLY AUTHORIZED BY VICTOR INSULATORS, INC.

**APPROVED**  
By A. E. Schwalm at 1:15 pm, Mar 08, 2013

4 SLOTS  
.58" WIDE, .87" DEEP  
3" B.C.

03-07-13		TM		C
04-04-11		TM		B
07-11-01	TM	PP	AS	A
02-01-01		PP		



**Victor Insulators, Inc.**  
280 MAPLE AVENUE  
VICTOR, NEW YORK 14564  
TELEPHONE: (585)924-2127

1689