

30

STATION POST

CAT. NO. 1696

23 kV 150 kV BIL

TR NO. 46

SKY GREY GLAZE

DIMENSIONS

LEAKAGE DISTANCE IN 18 mm 457

MECHANICAL VALUES

CANTILEVER STRENGTH LB 4,000 kN 17.79  
 TENSION STRENGTH LB 10,000 kN 44.5  
 TORSION STRENGTH IN-LB 16,000 kN-M 1.81  
 COMPRESSION STRENGTH LB 20,000 kN 89

ELECTRICAL VALUES

IMPULSE FLASHOVER-POS. kV 170  
 60 HERTZ WITHSTAND-WET kV 60  
 IMPULSE WITHSTAND kV 150

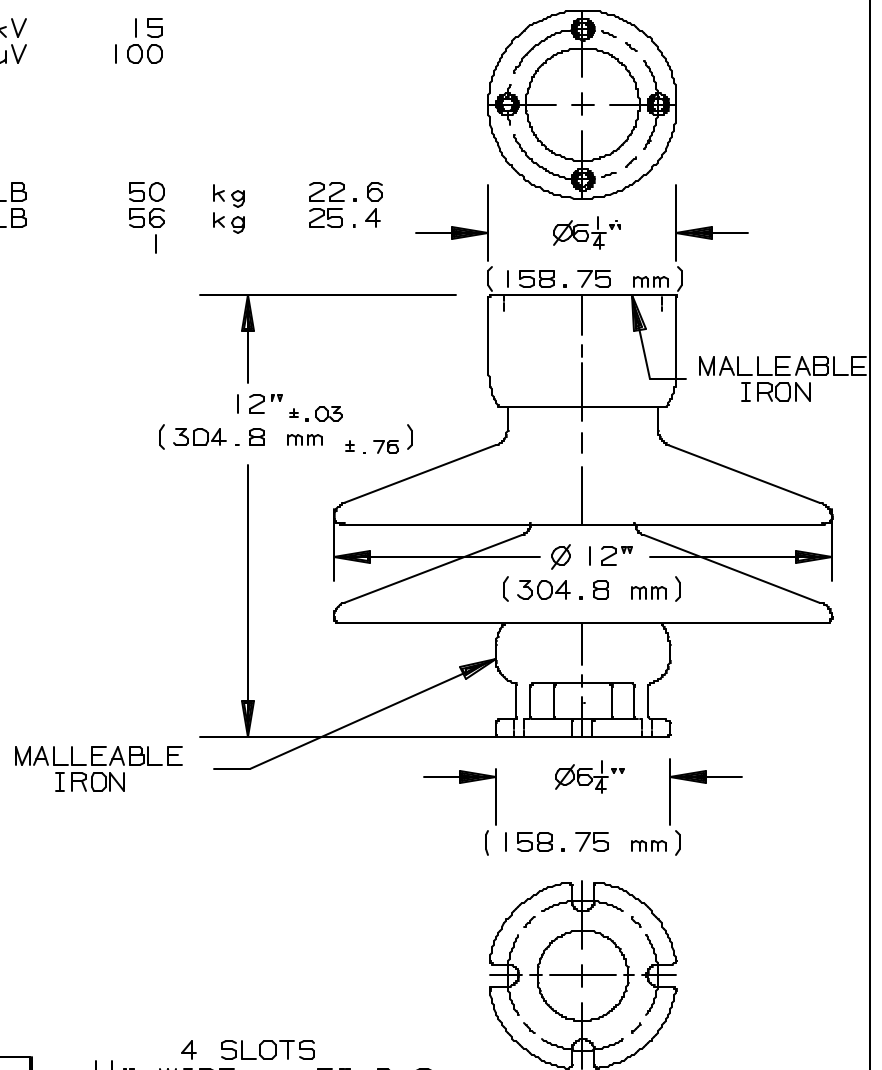
4 HOLES  
 5/8-11 + .015"  
 ON 5" B.C.

RADIO INFLUENCE VOLTAGE DATA

60 HERTZ TEST VOLTAGE kV 15  
 MAXIMUM RIV @ 1000 kHz uV 100

PACKING INFORMATION

NET WEIGHT, EACH LB 50 kg 22.6  
 PACKED WEIGHT LB 56 kg 25.4  
 NO. IN STANDARD PACKAGE 1



4 SLOTS  
 1 1/16" WIDE on 5" B.C.

THIS DRAWING IS THE PROPERTY OF VICTOR INSULATORS, INC. AND CONTAINS PROPRIETARY AND CONFIDENTIAL INFORMATION WHICH MUST NOT BE DUPLICATED, USED, OR DISCLOSED OTHER THAN AS EXPRESSLY AUTHORIZED BY VICTOR INSULATORS, INC.

07-16-04	TM	AS	D
12-22-03	TM	AS	C
04-01-03	TM	AS	B
07-12-01	SS		A
02-03-99		PP AS	



Victor Insulators, Inc.  
 280 MAPLE AVENUE  
 VICTOR, NEW YORK 14564  
 TELEPHONE: (565)924-2127

1696