

STATION POST

CAT. NO. 16PT02

345 kV

1,300 kV BIL

TR 368

DIMENSIONS:

LEAKAGE DISTANCE IN 231

MECHANICAL VALUES:

CANTILEVER STRENGTH LB 2,000
 TENSION STRENGTH LB 40,000
 TORSION STRENGTH IN-LB 120,000
 COMPRESSION STRENGTH LB 100,000

ELECTRICAL VALUES:

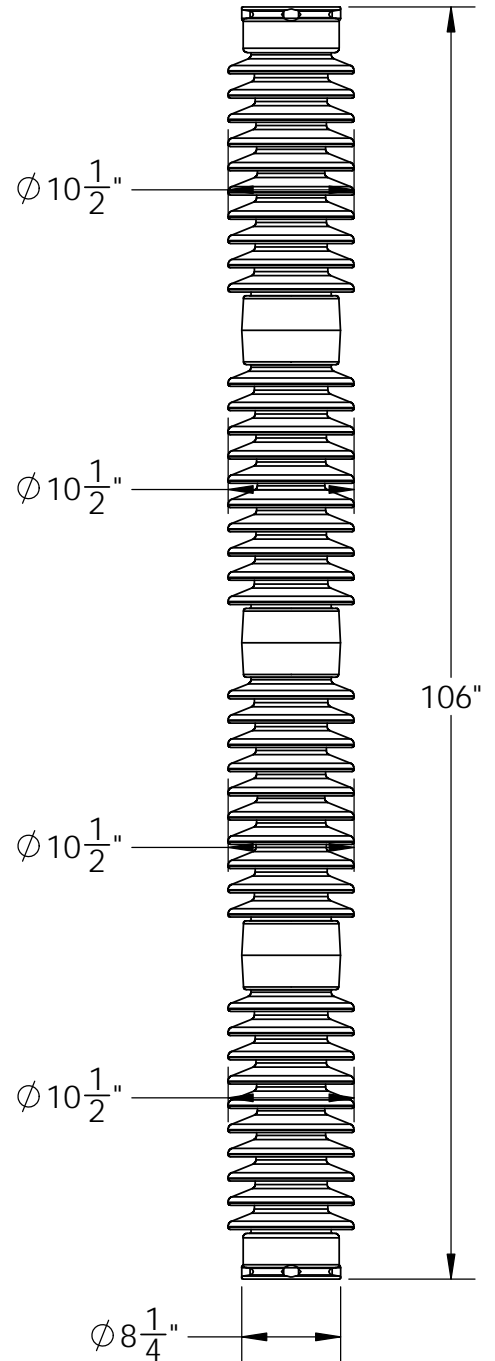
IMPULSE FLASHOVER-POSITIVE kV 1,410
 60 HERTZ WITHSTAND-WET kV 525
 IMPULSE WITHSTAND kV 1,300

RADIO INFLUENCE VOLTAGE DATA:

60 HERTZ TEST VOLTAGE TO GROUND kV 220
 MAXIMUM R.I.V. @ 1000 kHz μ V 1,000

PACKAGING INFORMATION:

NET WEIGHT, LB 510
 PACKED WEIGHT LB 545
 NO. IN STANDARD PACKAGE 1



4 HOLES 3/4"-10 +.015
 ON 7" B.C.
 BOTH ENDS

- 1 ENG. MGR
- 2 ENG
- PURCH.
- 1 MKTG.
- PLT.MGR.
- COST
- PRD.
- INSP
- GLAZE
- BUSHING
- MAKING
- SHIP
- ASSEM
- MODEL
- MACH.
- 45
- TOOLING
- CER LAB
- 1 EL LAB
- 1 E.MEDIA

THIS DRAWING IS THE PROPERTY OF VICTOR INSULATORS, INC. AND CONTAINS PROPRIETARY AND CONFIDENTIAL INFORMATION WHICH MUST NOT BE DUPLICATED, USED, OR DISCLOSED OTHER THAN AS EXPRESSLY AUTHORIZED BY VICTOR INSULATORS, INC.

APPROVED
 By A. E. Schwalm at 6:20 am, Apr 15, 2016



Victor Insulators, Inc.
 280 Maple Avenue
 Victor, New York 14564
 Telephone: (585)924-2127
 www.victorinsulators.com

16PT02

04-15-16

TM