

30

STATION POST	
CAT. NO. 1748	
23kV	150 kV BIL
REPLACES TR 7	

1 ENG. MGR
 2 ENG
 PURCH.
 1 MKTG.
 PLT. MGR.
 COST
 PROD.
 INSP
 GLAZE
 BUSHING
 MAKING
 SHIP
 ASSEM
 MODEL
 MACH.
 45
 TOOLING
 CER LAB
 1 EL LAB
 1 E.MEDIA

DIMENSIONS

LEAKAGE DISTANCE IN 24

MECHANICAL VALUES

CANTILEVER STRENGTH, UPRIGHT	LB	2,000
CANTILEVER STRENGTH, UNDERHUNG	LB	2,000
TENSION STRENGTH	LB	10,000
TORSION STRENGTH	IN-LB	8,000
COMPRESSION STRENGTH	LB	10,000

ELECTRICAL VALUES

IMPULSE FLASHOVER-POS.	kV	170
60 HERTZ WITHSTAND-WET	kV	60
IMPULSE WITHSTAND	kV	150

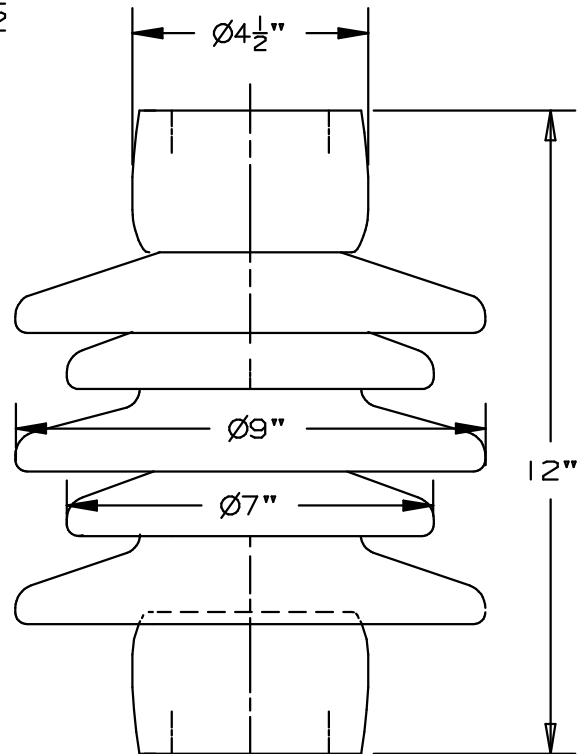
RADIO INFLUENCE VOLTAGE DATA

60 HERTZ TEST VOLTAGE TO GRD.	kV	15
MAXIMUM RIV @ 1000 kHz	μ V	100

PACKING INFORMATION

NET WEIGHT , EACH	LB	30
PACKED WEIGHT , EACH	LB	32
NO. IN STANDARD PACKAGE		2

4 HOLES EACH END
 $\frac{1}{2}$ "-13 +.015" ON 3" B.C.



THIS DRAWING IS THE PROPERTY OF VICTOR INSULATORS, INC. AND CONTAINS PROPRIETARY AND CONFIDENTIAL INFORMATION WHICH MUST NOT BE DUPLICATED, USED, OR DISCLOSED OTHER THAN AS EXPRESSLY AUTHORIZED BY VICTOR INSULATORS, INC.

APPROVED
 By A. E. Schwalm at 1:34 am, May 24, 2012

05-22-12	TM		
8-7-01	TM		



Victor Insulators, Inc.
 280 MAPLE AVENUE
 VICTOR, NEW YORK 14564
 TELEPHONE: (585)924-2127

1748