

**STATION POST**

CAT. NO. 1764

46 kV

250 kV BIL

TR 267

DIMENSIONS:

LEAKAGE DISTANCE IN 43

MECHANICAL VALUES:

CANTILEVER STRENGTH LB 4,000  
 TENSION STRENGTH LB 25,000  
 TORSION STRENGTH IN-LB 20,000  
 COMPRESSION STRENGTH LB 60,000

ELECTRICAL VALUES:

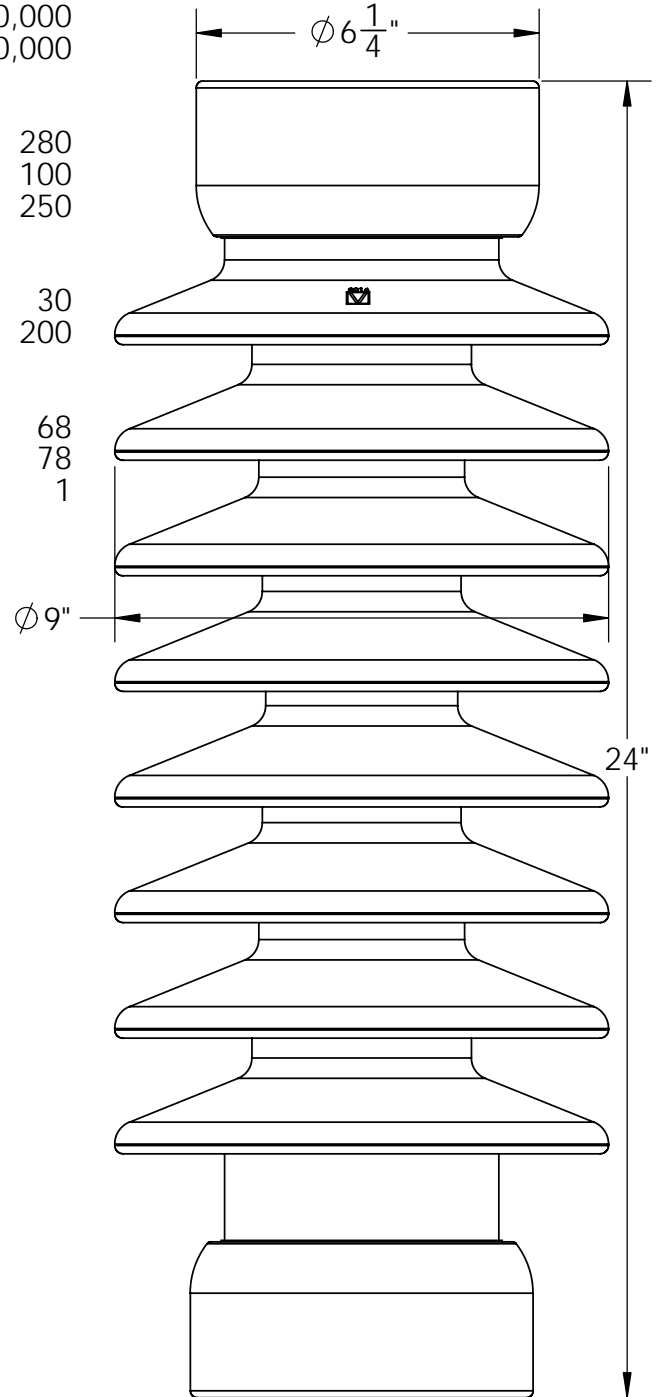
IMPULSE FLASHOVER-POSITIVE kV 280  
 60 HERTZ WITHSTAND-WET kV 100  
 IMPULSE WITHSTAND kV 250

RADIO INFLUENCE VOLTAGE DATA:

60 HERTZ TEST VOLTAGE TO GROUND kV 30  
 MAXIMUM R.I.V. @ 1000 kHz  $\mu$ V 200

PACKAGING INFORMATION:

NET WEIGHT, LB 68  
 PACKED WEIGHT LB 78  
 NO. IN STANDARD PACKAGE 1



4 HOLES 5/8"-11 +.015  
 ON 5" B.C., BOTH ENDS

- 1 ENG. MGR
- 2 ENG
- PURCH.
- 1 MKTG.
- PLT.MGR.
- COST
- PRDD.
- INSP
- GLAZE
- BUSHING
- MAKING
- SHIP
- ASSEM
- MODEL
- MACH.
- 45
- TOOLING
- CER LAB
- 1 EL LAB
- 1 E.MEDIA

THIS DRAWING IS THE PROPERTY OF  
 VICTOR INSULATORS, INC. AND CONTAINS  
 PROPRIETARY AND CONFIDENTIAL INFORMATION  
 WHICH MUST NOT BE DUPLICATED, USED,  
 OR DISCLOSED OTHER THAN AS EXPRESSLY  
 AUTHORIZED BY VICTOR INSULATORS, INC.

**APPROVED**  
 By A. E. Schwalm at 2:19 pm, Oct 03, 2016

09-19-16		TM	
05-16-16		TM	



**Victor Insulators, Inc.**  
 280 Maple Avenue  
 Victor, New York 14564  
 Telephone: (585)924-2127  
 www.victorinsulators.com

1764