

STATION POST

CAT. NO. 1765

69 kV

350 kV BIL

TR 278

DIMENSIONS:

LEAKAGE DISTANCE IN 72

MECHANICAL VALUES:

CANTILEVER STRENGTH LB 3,000
 TENSION STRENGTH LB 25,000
 TORSION STRENGTH IN-LB 40,000
 COMPRESSION STRENGTH LB 60,000

ELECTRICAL VALUES:

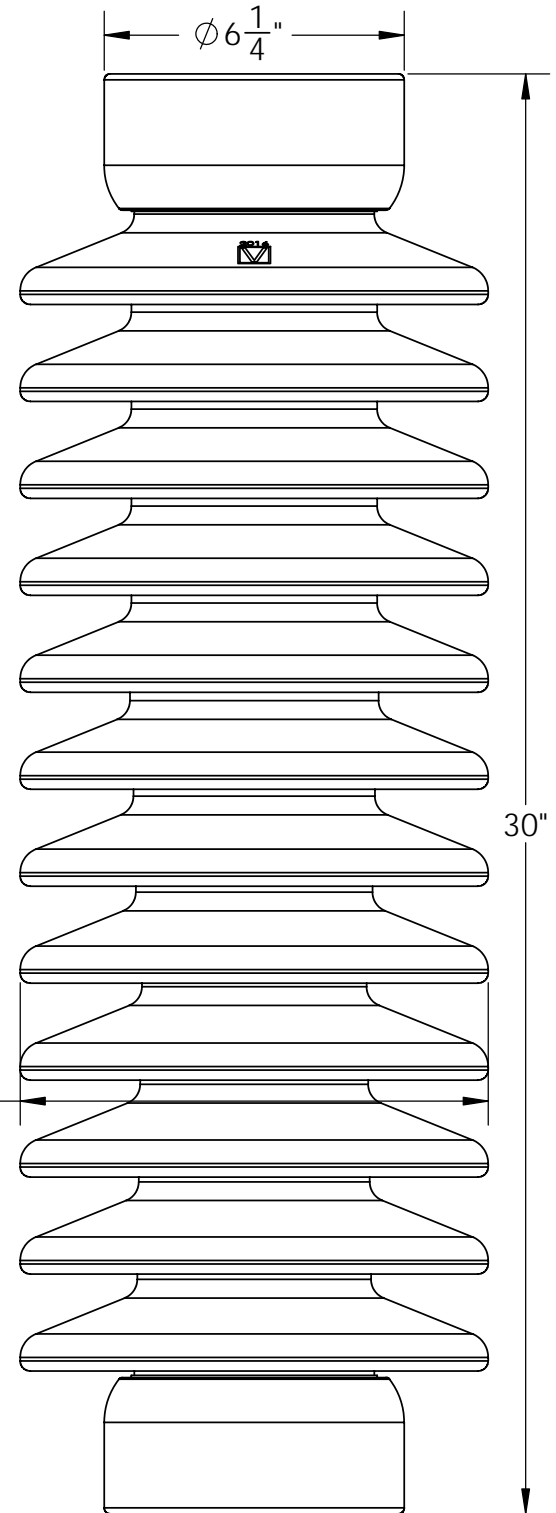
IMPULSE FLASHOVER-POSITIVE kV 390
 60 HERTZ WITHSTAND-WET kV 145
 IMPULSE WITHSTAND kV 350

RADIO INFLUENCE VOLTAGE DATA:

60 HERTZ TEST VOLTAGE TO GROUND kV 44
 MAXIMUM R.I.V. @ 1000 kHz μ V 200

PACKAGING INFORMATION:

NET WEIGHT, LB 110
 PACKED WEIGHT LB 120
 NO. IN STANDARD PACKAGE 1



4 HOLES 5/8"-11 +.015
 ON 5" B.C., BOTH ENDS

- 1 ENG. MGR
- 2 ENG
- PURCH.
- 1 MKTG.
- PLT.MGR.
- COST
- PRD.
- INSP
- GLAZE
- BUSHING
- MAKING
- SHIP
- ASSEM
- MODEL
- MACH.
- 45
- TOOLING
- CER LAB
- 1 EL LAB
- 1 E.MEDIA

THIS DRAWING IS THE PROPERTY OF
 VICTOR INSULATORS, INC. AND CONTAINS
 PROPRIETARY AND CONFIDENTIAL INFORMATION
 WHICH MUST NOT BE DUPLICATED, USED,
 OR DISCLOSED OTHER THAN AS EXPRESSLY
 AUTHORIZED BY VICTOR INSULATORS, INC.

APPROVED
 By A. E. Schwalm at 2:10 pm, May 16, 2016



Victor Insulators, Inc.
 280 Maple Avenue
 Victor, New York 14564
 Telephone: (585)924-2127
 www.victorinsulators.com

1765

05-16-16

TM

SUPERSEDES DWG 1765 DATED 05-15-97

FILE: 1765