

**STATION POST**

CAT. NO. 17PA23

230 kV

900 kV BIL

TR 304

DIMENSIONS:

LEAKAGE DISTANCE IN 165

MECHANICAL VALUES:

CANTILEVER STRENGTH LB 950  
 TENSION STRENGTH LB 20,000  
 TORSION STRENGTH IN-LB 40,000  
 COMPRESSION STRENGTH LB 60,000

ELECTRICAL VALUES:

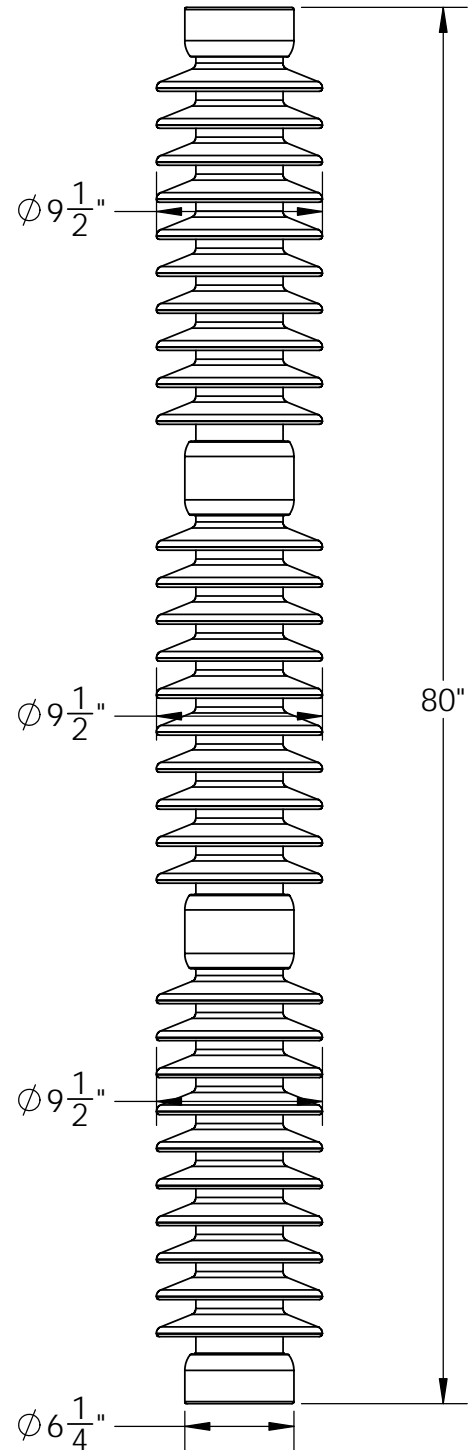
IMPULSE FLASHOVER-POSITIVE kV 1,010  
 60 HERTZ WITHSTAND-WET kV 385  
 IMPULSE WITHSTAND kV 900

RADIO INFLUENCE VOLTAGE DATA:

60 HERTZ TEST VOLTAGE TO GROUND kV 146  
 MAXIMUM R.I.V. @ 1000 kHz  $\mu$ V 500

PACKAGING INFORMATION:

NET WEIGHT, LB 275  
 PACKED WEIGHT LB 295  
 NO. IN STANDARD PACKAGE 1



4 HOLES 5/8"-11 +.015  
 ON 5" B.C., BOTH ENDS

- 1 ENG. MGR
- 2 ENG
- PURCH.
- 1 MKTG.
- PLT.MGR.
- COST
- PRD.
- INSP
- GLAZE
- BUSHING
- MAKING
- SHIP
- ASSEM
- MODEL
- MACH.
- 45
- TOOLING
- CER LAB
- 1 EL LAB
- 1 E.MEDIA

THIS DRAWING IS THE PROPERTY OF  
 VICTOR INSULATORS, INC. AND CONTAINS  
 PROPRIETARY AND CONFIDENTIAL INFORMATION  
 WHICH MUST NOT BE DUPLICATED, USED,  
 OR DISCLOSED OTHER THAN AS EXPRESSLY  
 AUTHORIZED BY VICTOR INSULATORS, INC.

**APPROVED**  
 By A. E. Schwalm at 2:05 pm, Oct 03, 2016



**Victor Insulators, Inc.**  
 280 Maple Avenue  
 Victor, New York 14564  
 Telephone: (585)924-2127  
 www.victorinsulators.com

**17PA23**

09-28-16

TM

SUPSEDES 17PA23 DATED 11-29-10