

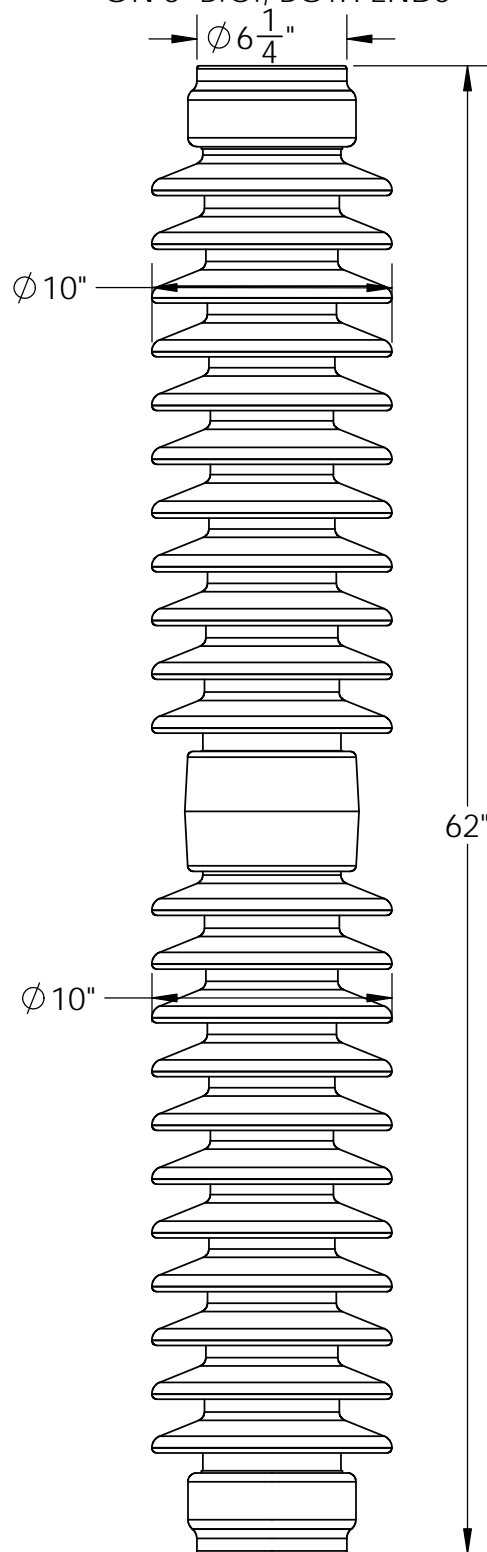
STATION POST

CAT. NO. 17PA27

161 kV 750 kV BIL

TR 295

4 HOLES 5/8"-11 +.015
ON 5" B.C., BOTH ENDS



DIMENSIONS:
LEAKAGE DISTANCE IN 132

MECHANICAL VALUES:
CANTILEVER STRENGTH LB 1,850
TENSION STRENGTH LB 25,000
TORSION STRENGTH IN-LB 90,000
COMPRESSION STRENGTH LB 75,000

ELECTRICAL VALUES:
IMPULSE FLASHOVER-POSITIVE kV 810
60 HERTZ WITHSTAND-WET kV 315
IMPULSE WITHSTAND kV 750

RADIO INFLUENCE VOLTAGE DATA:
60 HERTZ TEST VOLTAGE TO GROUND kV 103
MAXIMUM R.I.V. @ 1000 kHz μV 200

PACKAGING INFORMATION:
NET WEIGHT, LB 240
PACKED WEIGHT LB 250
NO. IN STANDARD PACKAGE 1

- 1 ENG. MGR
- 2 ENG
- PURCH.
- 1 MKTG.
- PLT.MGR.
- COST
- PRD.
- INSP
- GLAZE
- BUSHING
- MAKING
- SHIP
- ASSEM
- MODEL
- MACH.
- 45
- TOOLING
- CER LAB
- 1 EL LAB
- 1 E.MEDIA

THIS DRAWING IS THE PROPERTY OF VICTOR INSULATORS, INC. AND CONTAINS PROPRIETARY AND CONFIDENTIAL INFORMATION WHICH MUST NOT BE DUPLICATED, USED, OR DISCLOSED OTHER THAN AS EXPRESSLY AUTHORIZED BY VICTOR INSULATORS, INC.

APPROVED
By A. E. Schwalm at 2:07 pm, Oct 03, 2016



Victor Insulators, Inc.
280 Maple Avenue
Victor, New York 14564
Telephone: (585)924-2127
www.victorinsulators.com

17PA27

09-28-16

TM

SUPERSEDES DWG 17PA27 DATED 01-03-16