

7

INDOOR BUS SUPPORT

NEMA CLASS A-30

- 1 ENG. MGR.
- 2 ENG.
- PURCH.
- 1 MKTG.
- PLT. MGR.
- COST
- PROD.
- INSP.
- GLAZE
- BUSHING
- MAKING
- SHIP.
- ASSEM.
- MODEL
- MACH.
- 45
- TOOLING
- CER. LAB.
- 1 EL. LAB.
- 1 E.MEDIA

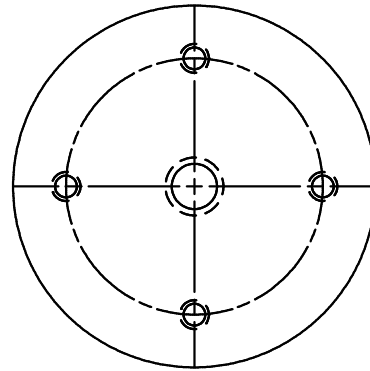
TOP & BOTTOM

1 CENTER HOLE

$\frac{3}{4}$ -10 N.C. x $\frac{7}{8}$ DEEP

4-HOLES

$\frac{1}{2}$ -13 N.C. ON 3" B.C.
0.015" DP.



MECHANICAL VALUES

CANTILEVER STRENGTH	LB	2,000*
TENSILE STRENGTH	LB	3,500
TORSION STRENGTH	IN-LB	4,500
COMPRESSION STRENGTH	LB	30,000

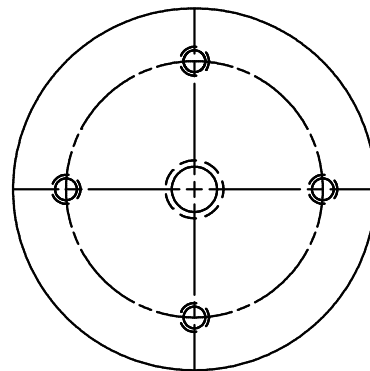
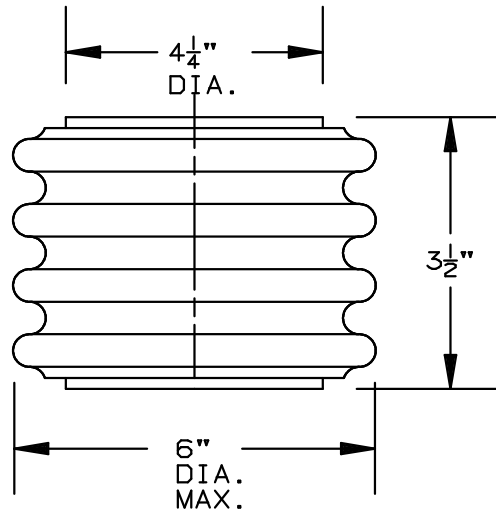
ELECTRICAL VALUES

NEMA, VOLTAGE RATING	kV	4.8
60 HERTZ WITHSTAND-DRY	kV	19
60 HERTZ WITHSTAND-DEW	kV	15
IMPULSE WITHSTAND	kV	60

PACKING INFORMATION

PACKED WEIGHT PER 100 LB 1,000

* CANTILEVER STRENGTH GIVEN
 $2\frac{1}{2}$ " ABOVE TOP.



THIS DRAWING IS THE PROPERTY OF VICTOR INSULATORS, INC. AND CONTAINS PROPRIETARY AND CONFIDENTIAL INFORMATION WHICH MUST NOT BE DUPLICATED, USED, OR DISCLOSED OTHER THAN AS EXPRESSLY AUTHORIZED BY VICTOR INSULATORS, INC.

8-29-01

PP AS



Victor Insulators, Inc.

280 MAPLE AVENUE
VICTOR, NEW YORK 14564
TELEPHONE: (716)924-2127

5850-33