

CLAMP TOP LINE POST

CAT. NO. 62153

25 kV VERTICAL MOUNT

ANSI CLASS 57 - 11

DIMENSIONS:

LEAKAGE DISTANCE IN[mm] 14[355.6]
 DRY ARCING DISTANCE IN[mm] 6.5[165.1]

MECHANICAL VALUES:

CANTILEVER LB [kN] 2,800[12.5]

ELECTRICAL VALUES:

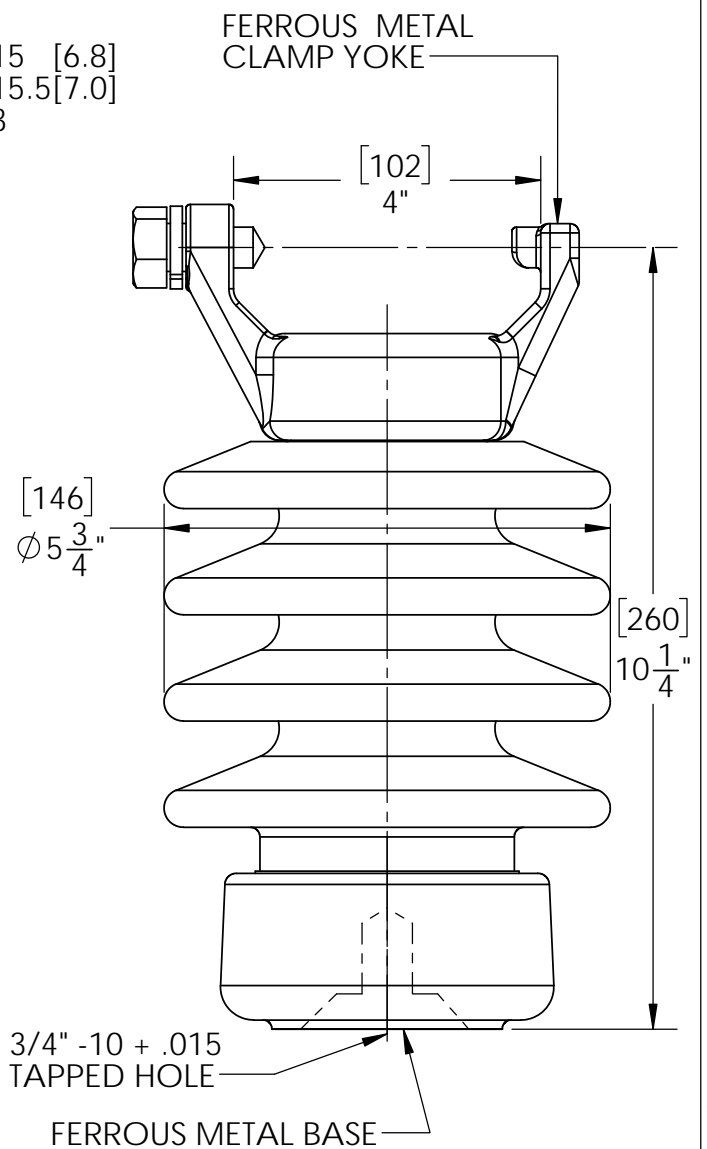
IMPULSE FLASHOVER-POS. kV 120
 60 HERTZ FLASHOVER-WET kV 50
 60 HERTZ FLASHOVER-DRY kV 70

RADIO INFLUENCE VOLTAGE DATA:

60 HERTZ TEST VOLTAGE TO GROUND kV 15
 MAXIMUM R.I.V. @ 1000 kHz μV 100

PACKAGING INFORMATION:

NET WEIGHT, LB[kg] 15 [6.8]
 PACKED WEIGHT LB[kg] 15.5[7.0]
 NO. IN STANDARD PACKAGE 3



THIS DRAWING IS THE PROPERTY OF VICTOR INSULATORS, INC. AND CONTAINS PROPRIETARY AND CONFIDENTIAL INFORMATION WHICH MUST NOT BE DUPLICATED, USED, OR DISCLOSED OTHER THAN AS EXPRESSLY AUTHORIZED BY VICTOR INSULATORS, INC.

APPROVED

By A. E. Schwalm at 7:46 am, Dec 07, 2016



Victor Insulators, Inc.

280 Maple Avenue
 Victor, New York 14564
 Telephone: (585)924-2127
 www.victorinsulators.com

62153

11-21-16

AF TM

SUPERSEDES DWG. 62153 DATED 4-18-95

62153

- 1 ENG. MGR
- 2 ENG
- PURCH.
- 1 MKTG.
- PLT.MGR.
- COST
- PRD.
- INSP
- GLAZE
- BUSHING
- MAKING
- SHIP
- ASSEM
- MODEL
- MACH.
- 45
- TOOLING
- CER LAB
- 1 EL LAB
- 1 E.MEDIA