

SPOOL INSULATOR

CAT. NO. VI 2611

ANSI CLASS 53-1

24

- 1 ENG. MGR
- 2 ENG
- PURCH.
- 1 MKTG.
- PLT.MGR.
- COST
- PROD.
- INSP
- GLAZE
- BUSHING
- MAKING
- SHIP
- ASSEM
- MODEL
- MACH.
- 45
- TOOLING
- CER LAB
- 1 EL LAB
- 1 E. MEDIA

MECHANICAL VALUES

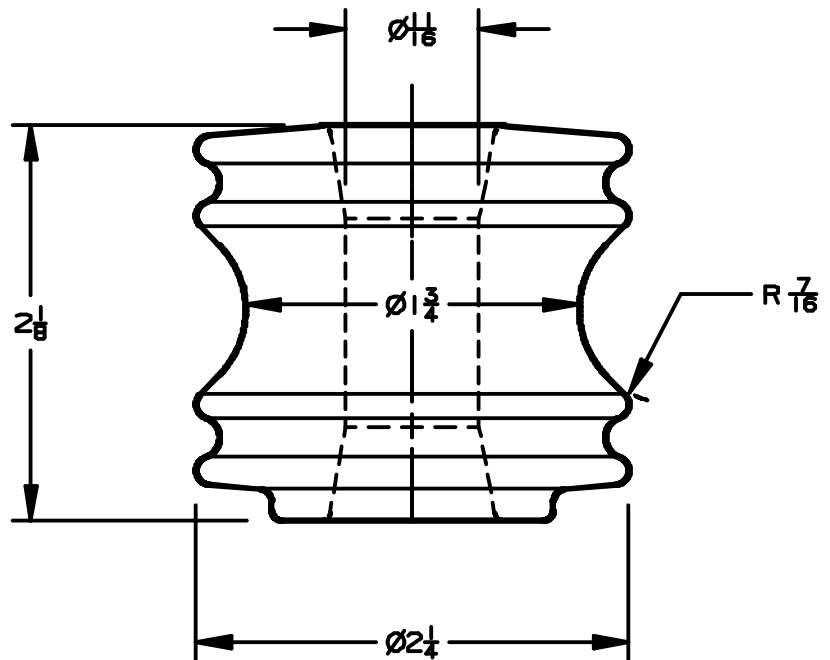
TRANSVERSE STRENGTH LB 2000

ELECTRICAL VALUES

60 HERTZ FLASHOVER-DRY	kV	20
60 HERTZ FLASHOVER-WET	kV	8
VERTICAL	kV	10
HORIZONTAL	kV	10

PACKING INFORMATION

NET WEIGHT PER 100	LB	51
PACKED WEIGHT PER 100	LB	54
NO. IN STANDARD PACKAGE		100



THIS DRAWING IS THE PROPERTY OF VICTOR INSULATORS, INC. AND CONTAINS PROPRIETARY AND CONFIDENTIAL INFORMATION WHICH MUST NOT BE DUPLICATED, USED OR DISCLOSED, OTHER THAN AS EXPRESSLY AUTHORIZED BY VICTOR INSULATORS, INC.

FILE: VI 2611



**INSULATORS**  
 VICTOR INSULATORS, INC.  
 280 MAPLE AVENUE  
 VICTOR, NEW YORK 14564  
 TELEPHONE: (716)924-2127

VI 2611

03-15-02

TM|PP|AS