

16

GUY STRAIN INSULATOR
 CAT. NO. VI 4656
 ANSI CLASS 54-4

1 ENG. MGR
 2 ENG
 PURCH.
 1 MKTG.
 PLT. MGR.
 COST
 PROD.
 INSP
 GLAZE
 BUSHING
 MAKING
 SHIP
 ASSEM
 MODEL
 MACH.
 45
 TOOLING
 CER LAB
 1 EL LAB
 Q. A.

DIMENSIONS

LEAKAGE DISTANCE IN 3.00
 MAXIMUM CABLE DIA. IN .62

MECHANICAL VALUES

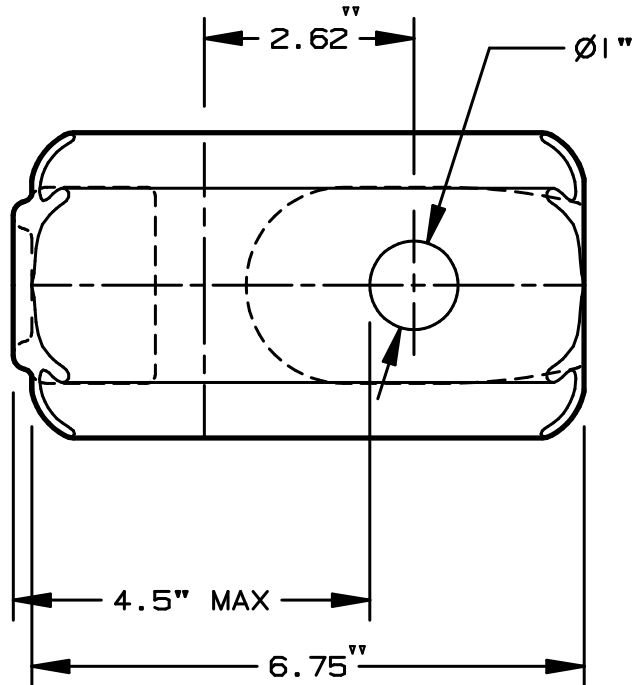
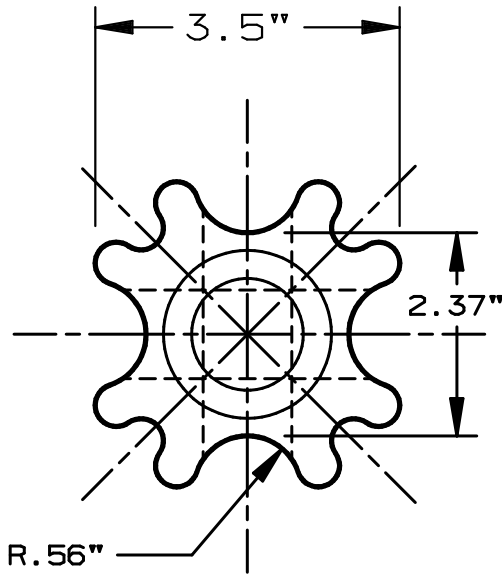
TENSILE STRENGTH LB 20,000

ELECTRICAL VALUES

60 HERTZ FLASHOVER-DRY kV 40
 60 HERTZ FLASHOVER-WET kV 23

PACKING INFORMATION

NET WEIGHT PER 100 LB 439
 PACKED WEIGHT PER 100 LB 455
 NO. IN STANDARD PACKAGE 8



THIS DRAWING IS THE PROPERTY OF VICTOR INSULATORS, INC. AND CONTAINS PROPRIETARY AND CONFIDENTIAL INFORMATION WHICH MUST NOT BE DUPLICATED, USED, OR DISCLOSED OTHER THAN AS EXPRESSLY AUTHORIZED BY VICTOR INSULATORS, INC.

APPROVED
 By A. E. Schwalm at 11:59 am, Sep 25, 2012

09-25-12		TM		
03-18-02	TM	PP	AS	

VI INSULATORS
 VICTOR INSULATORS, INC.
 280 MAPLE AVENUE
 VICTOR, NEW YORK 14564
 TELEPHONE: (585)924-2127

VI 4656

FILE: VI 4656