

SUSPENSION INSULATOR

ANSI CLASS 52-4H

CAT NO VI 52-4H TG

30

DIMENSIONS:

LEAKAGE DISTANCE IN(mm) 12.62(320)

MECHANICAL VALUES:

M&E STRENGTH LB(kN) 20,000(89)  
 IMPACT STRENGTH IN-LB(N-m) 400(6)  
 TENSION PROOF LB(kN) 10,000(44.5)

TOUGHENED GLASS

ELECTRICAL VALUES:

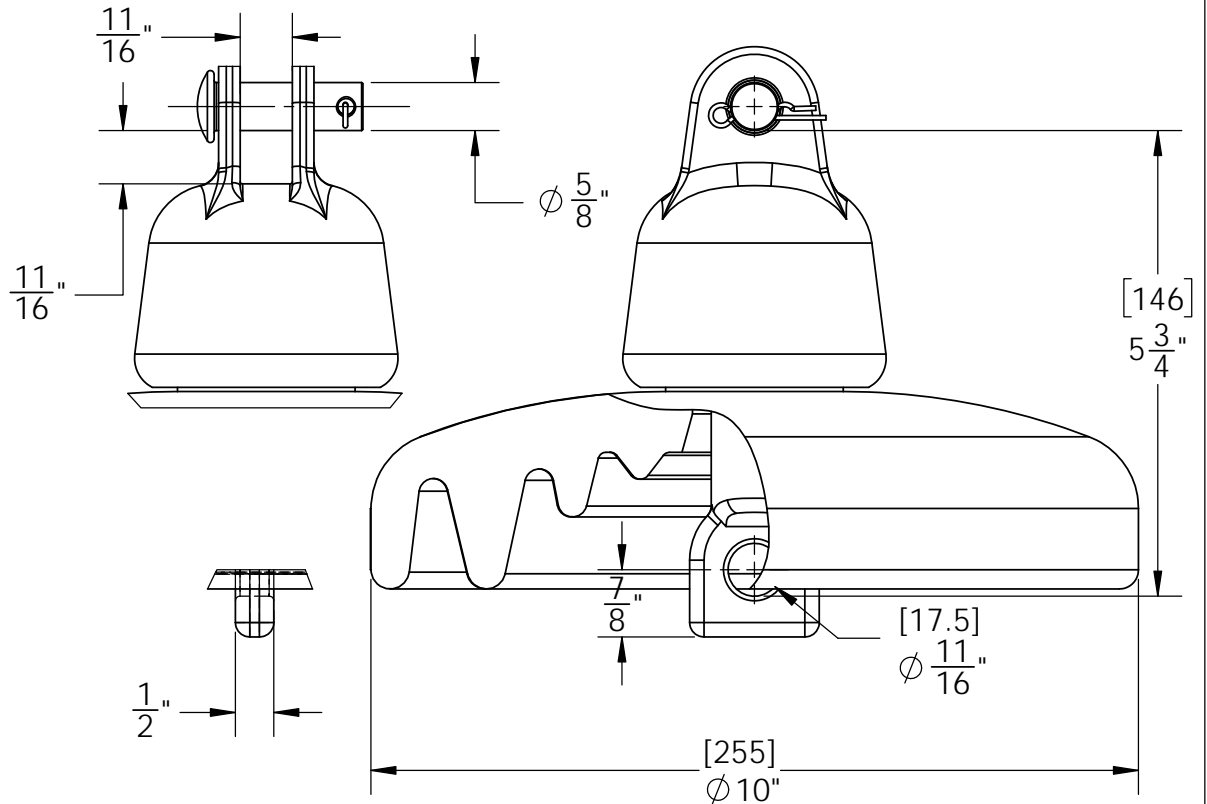
LOW FREQUENCY FLASHOVER, DRY kV 80  
 LOW FREQUENCY FLASHOVER, WET kV 50  
 CRITICAL IMPULSE FLASHOVER, POS. kV 125  
 CRITICAL IMPULSE FLASHOVER, NEG. kV 130  
 LOW FREQUENCY PUNCTURE kV 110

RADIO INFLUENCE VOLTAGE DATA:

LOW FREQUENCY TEST VOLTAGE kV 10  
 MAXIMUM RIV AT 1,000 kHz: uV 50

PACKING INFORMATION:

NET WEIGHT LB(kg) 8.8(4)  
 PACKED WEIGHT LB(kg) 9.3(4.2)



THIS DRAWING IS THE PROPERTY OF VICTOR INSULATORS, INC. AND CONTAINS PROPRIETARY AND CONFIDENTIAL INFORMATION WHICH MUST NOT BE DUPLICATED, USED, OR DISCLOSED OTHER THAN AS EXPRESSLY AUTHORIZED BY VICTOR INSULATORS, INC.

**APPROVED**  
 By A. E. Schwalm at 10:30 am, Apr 10, 2017

04-07-17	TM	A
04-27-16	TM	

 **Victor Insulators, Inc.**  
 280 Maple Avenue  
 Victor, New York 14564  
 Telephone: (585)924-2127  
 www.victorinsulators.com

**VI 52-4H TG**

PART NO. VI 52-4H TG