

S

STATION POST

CAT. NO. 1600 S

345 kV

1,300 kV BIL

TR 324

DIMENSIONS:

LEAKAGE DISTANCE IN 231

MECHANICAL VALUES:

CANTILEVER STRENGTH LB 1,000
 TENSION STRENGTH LB 25,000
 TORSION STRENGTH IN-LB 90,000
 COMPRESSION STRENGTH LB 75,000

ELECTRICAL VALUES:

IMPULSE FLASHOVER-POSITIVE kV 1,410
 60 HERTZ WITHSTAND-WET kV 525
 IMPULSE WITHSTAND kV 1,300

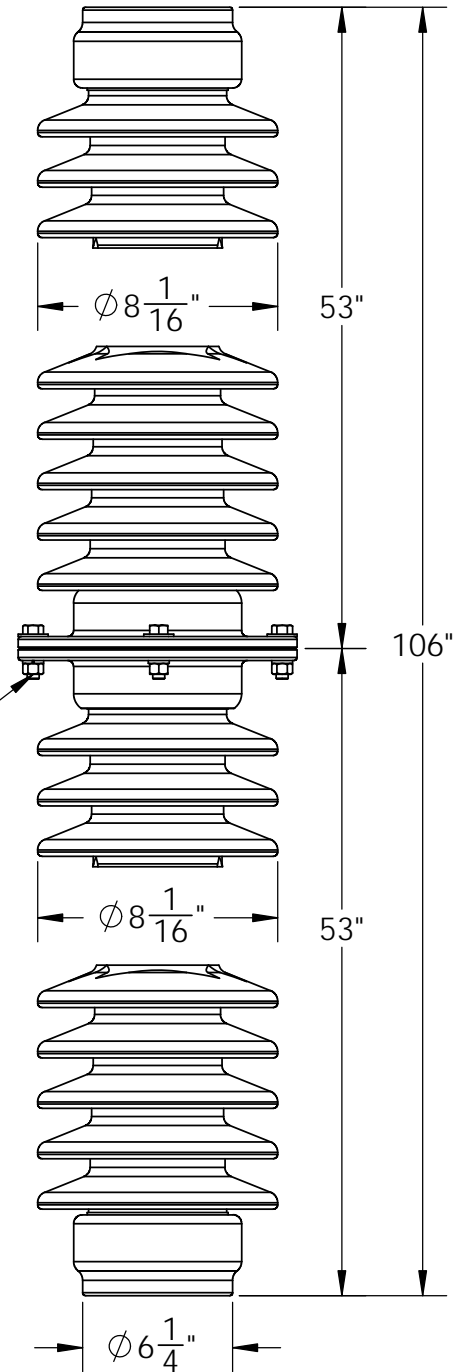
RADIO INFLUENCE VOLTAGE DATA:

60 HERTZ TEST VOLTAGE TO GROUND kV 220
 MAXIMUM R.I.V. @ 1000 kHz μ V 1,000

PACKAGING INFORMATION:

NET WEIGHT, LB 317
 PACKED WEIGHT LB 327
 NO. IN STANDARD PACKAGE 1/2

4 HOLES 5/8"-11 +.015
 ON 5" B.C., BOTH ENDS



4 HOLES
 ϕ .71 ON
 7.87 B.C.

THIS DRAWING IS THE PROPERTY OF
 VICTOR INSULATORS, INC. AND CONTAINS
 PROPRIETARY AND CONFIDENTIAL INFORMATION
 WHICH MUST NOT BE DUPLICATED, USED,
 OR DISCLOSED OTHER THAN AS EXPRESSLY
 AUTHORIZED BY VICTOR INSULATORS, INC.

APPROVED
 By A. E. Schwelm at 2:27 pm, Mar 12, 2019



Victor Insulators, Inc.
 280 Maple Avenue
 Victor, New York 14564
 Telephone: (585)924-2127
 www.victorinsulators.com

1600 S

03-12-19

TM