

S

STATION POST

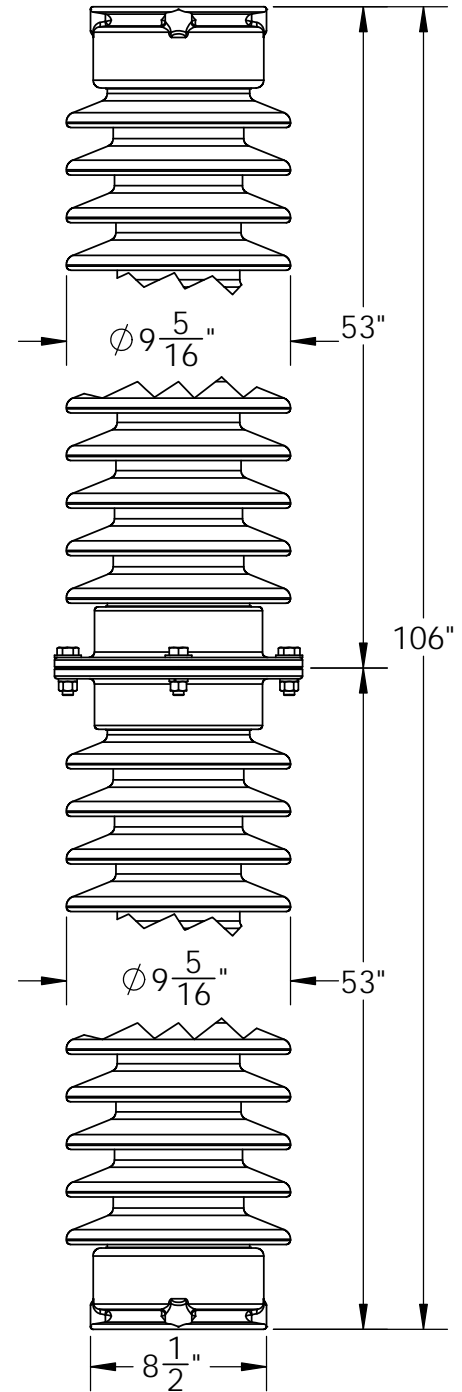
CAT. NO. 1602 S

345 kV

1,300 kV BIL

TR 368

4 HOLES 3/4"-10 +.015
ON 7" B.C., BOTH ENDS



DIMENSIONS:
LEAKAGE DISTANCE IN 231

MECHANICAL VALUES:
CANTILEVER STRENGTH LB 2,000
TENSION STRENGTH LB 40,000
TORSION STRENGTH IN-LB 120,000
COMPRESSION STRENGTH LB 100,000

ELECTRICAL VALUES:
IMPULSE FLASHOVER-POSITIVE kV 1,410
60 HERTZ WITHSTAND-WET kV 525
IMPULSE WITHSTAND kV 1,300

RADIO INFLUENCE VOLTAGE DATA:
60 HERTZ TEST VOLTAGE TO GROUND kV 220
MAXIMUM R.I.V. @ 1000 kHz μ V 1,000

PACKAGING INFORMATION:
NET WEIGHT, LB 405
PACKED WEIGHT LB 420
NO. IN STANDARD PACKAGE 1/2

- 1 ENG. MGR
- 2 ENG
- PURCH.
- 1 MKTG.
- PLT.MGR.
- COST
- PRD.
- INSP
- GLAZE
- BUSHING
- MAKING
- SHIP
- ASSEM
- MODEL
- MACH.
- 45
- TOOLING
- CER LAB
- 1 EL LAB
- 1 E.MEDIA

THIS DRAWING IS THE PROPERTY OF VICTOR INSULATORS, INC. AND CONTAINS PROPRIETARY AND CONFIDENTIAL INFORMATION WHICH MUST NOT BE DUPLICATED, USED, OR DISCLOSED OTHER THAN AS EXPRESSLY AUTHORIZED BY VICTOR INSULATORS, INC.

APPROVED
By A. E. Schwalm at 3:37 pm, Mar 05, 2019



Victor Insulators, Inc.
280 Maple Avenue
Victor, New York 14564
Telephone: (585)924-2127
www.victorinsulators.com

1602 S

03-05-19

TM