

S

STATION POST

CAT. NO. 1604 S

345 kV

1,300 kV BIL

DIMENSIONS:

LEAKAGE DISTANCE IN 231

MECHANICAL VALUES:

CANTILEVER STRENGTH LB 1,000
 TENSION STRENGTH LB 20,000
 TORSION STRENGTH IN-LB 40,000
 COMPRESSION STRENGTH LB 60,000

ELECTRICAL VALUES:

IMPULSE FLASHOVER-POSITIVE kV 1,410
 60 HERTZ WITHSTAND-WET kV 525
 IMPULSE WITHSTAND kV 1,300

RADIO INFLUENCE VOLTAGE DATA:

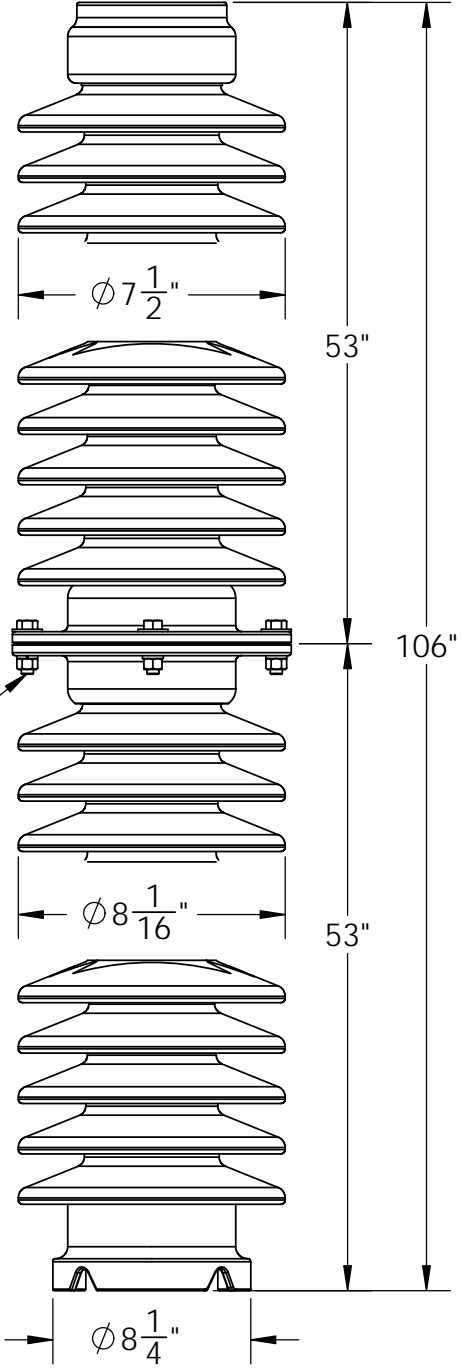
60 HERTZ TEST VOLTAGE TO GROUND kV 220
 MAXIMUM R.I.V. @ 1000 kHz μ V 1,000

PACKAGING INFORMATION:

NET WEIGHT, LB 295
 PACKED WEIGHT LB 315
 NO. IN STANDARD PACKAGE 1/2

4 HOLES 5/8"-11 +.015
 ON 5" B.C.

$\phi 6 \frac{1}{4}$ "



4 HOLES $\phi .71$
 ON $\phi 7.87$ B.C.

4 HOLES 3/4"-10 +.15
 ON 7" B.C.

- 1 ENG. MGR
- 2 ENG
- PURCH.
- 1 MKTG.
- PLT.MGR.
- COST
- PRD.
- INSP
- GLAZE
- BUSHING
- MAKING
- SHIP
- ASSEM
- MODEL
- MACH.
- 45
- TOOLING
- CER LAB
- 1 EL LAB
- 1 E.MEDIA

THIS DRAWING IS THE PROPERTY OF
 VICTOR INSULATORS, INC. AND CONTAINS
 PROPRIETARY AND CONFIDENTIAL INFORMATION
 WHICH MUST NOT BE DUPLICATED, USED,
 OR DISCLOSED OTHER THAN AS EXPRESSLY
 AUTHORIZED BY VICTOR INSULATORS, INC.

APPROVED
 By A. E. Schwalm at 3:02 pm, Feb 21, 2019

2/21/2019

TM



Victor Insulators, Inc.

280 Maple Avenue
 Victor, New York 14564
 Telephone: (585)924-2127
 www.victorinsulators.com

1604 S