

S

STATION POST

CAT. NO. 1630 S

500 kV

1,800 kV BIL

DIMENSIONS:

LEAKAGE DISTANCE IN 330

MECHANICAL VALUES:

CANTILEVER STRENGTH LB 1,400
 TENSION STRENGTH LB 20,000
 TORSION STRENGTH IN-LB 40,000
 COMPRESSION STRENGTH LB 60,000

ELECTRICAL VALUES:

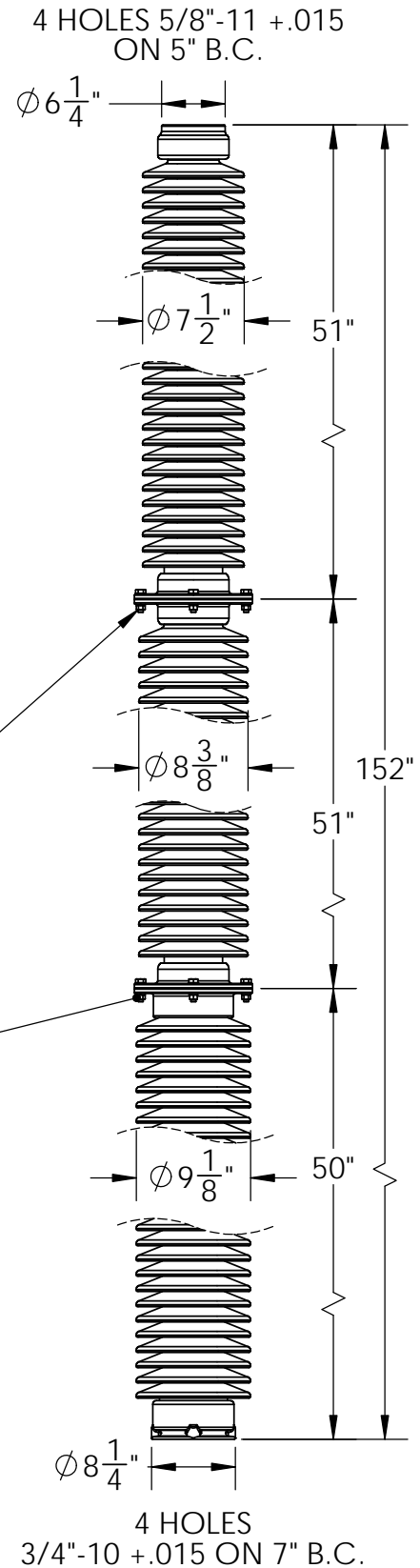
IMPULSE FLASHOVER-POSITIVE kV 2,000
 60 HERTZ WITHSTAND-WET kV 710
 IMPULSE WITHSTAND kV 1,800

RADIO INFLUENCE VOLTAGE DATA:

60 HERTZ TEST VOLTAGE TO GROUND kV 318
 MAXIMUM R.I.V. @ 1000 kHz μ V 2,000

PACKAGING INFORMATION:

NET WEIGHT, LB 526
 PACKED WEIGHT LB 565
 NO. IN STANDARD PACKAGE 1/3



4 HOLES .71 ON 7 7/8" B.C.

4 HOLES .71 ON 8.86" B.C.

THIS DRAWING IS THE PROPERTY OF VICTOR INSULATORS, INC. AND CONTAINS PROPRIETARY AND CONFIDENTIAL INFORMATION WHICH MUST NOT BE DUPLICATED, USED, OR DISCLOSED OTHER THAN AS EXPRESSLY AUTHORIZED BY VICTOR INSULATORS, INC.

APPROVED
 By A. E. Schwalm at 10:47 pm, Apr 24, 2019



Victor Insulators, Inc.
 280 Maple Avenue
 Victor, New York 14564
 Telephone: (585)924-2127
 www.victorinsulators.com

1630 S

04-24-19

TM