

30

STATION POST

CAT. NO. 1726

138 kV

650kV BIL

TR NO. 289

ENG. MGR.  
 ENG.  
 PURCH.  
 MKTG.  
 FLT. MGR.  
 COST  
 PROD.  
 INSP.  
 GLAZE  
 BUSHING  
 MAKING  
 SHIP.  
 ASSEM.  
 MODEL  
 MACH.  
 45  
 TOOLING  
 CER. LAB.  
 EL. LAB.  
 E.MEDIA

DIMENSIONS

LEAKAGE DISTANCE IN 132

MECHANICAL VALUES

CANTILEVER STRENGTH LB 2,200  
 TENSILE STRENGTH LB 25,000  
 TORSION STRENGTH IN-LB 90,000  
 COMPRESSION STRENGTH LB 75,000

ELECTRICAL VALUES

60 HERTZ WITHSTAND-WET kV 275  
 IMPULSE FLASHOVER-POS. kV 710  
 IMPULSE WITHSTAND kV 650

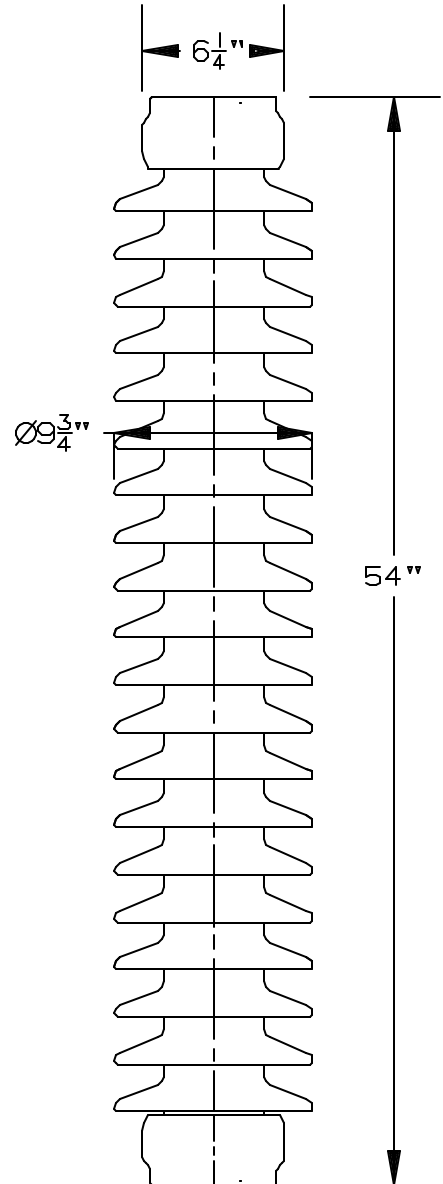
RADIO INFLUENCE VOLTAGE DATA

60 HERTZ TEST VOLTAGE TO GRD. kV 88  
 MAXIMUM RIV @ 1000 kHz  $\mu$ V 200

PACKING INFORMATION

NET WEIGHT ,EACH LB 201  
 PACKED WEIGHT ,EACH LB 217  
 NO. IN STANDARD PACKAGE 1

4 HOLES EACH END  
 $\frac{5}{8}$ -11 + .015 ON 5" B.C.



THIS DRAWING IS THE PROPERTY OF VICTOR INSULATORS, INC. AND CONTAINS PROPRIETARY AND CONFIDENTIAL INFORMATION WHICH MUST NOT BE DUPLICATED, USED, OR DISCLOSED OTHER THAN AS EXPRESSLY AUTHORIZED BY VICTOR INSULATORS, INC.

	<b>Victor Insulators, Inc.</b> 280 MAPLE AVENUE VICTOR, NEW YORK 14564 TELEPHONE: (716)924-2127	<h1>1726</h1>
	12-19-00	TM/PP