

S

STATION POST

CAT. NO. 1729 S

230 kV

1,050 kV BIL

TR 316

DIMENSIONS:

LEAKAGE DISTANCE IN 198

MECHANICAL VALUES:

CANTILEVER STRENGTH LB 1,250
 TENSION STRENGTH LB 25,000
 TORSION STRENGTH IN-LB 90,000
 COMPRESSION STRENGTH LB 75,000

ELECTRICAL VALUES:

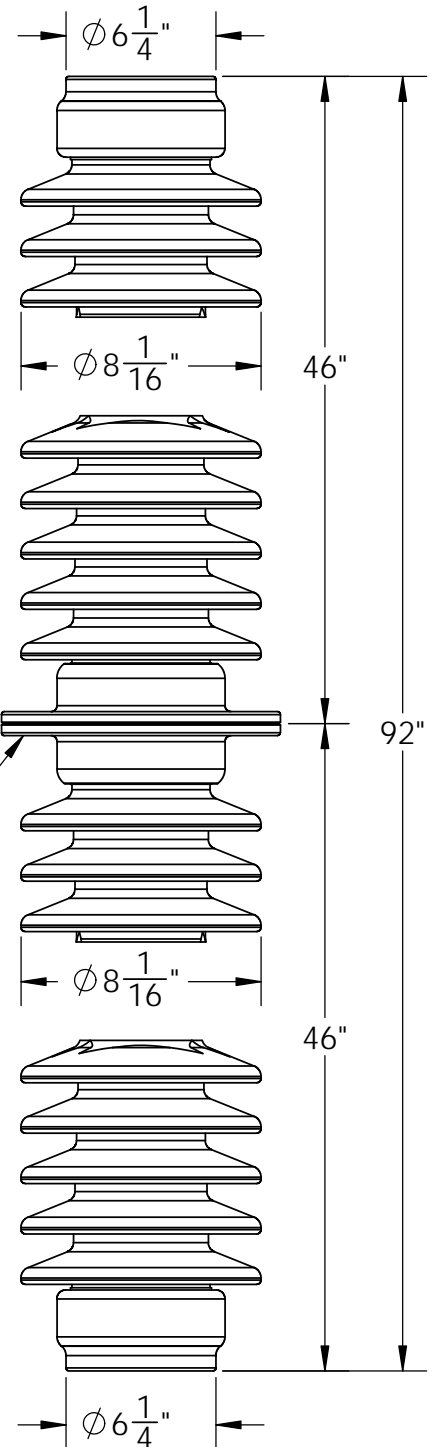
IMPULSE FLASHOVER-POSITIVE kV 1,210
 60 HERTZ WITHSTAND-WET kV 455
 IMPULSE WITHSTAND kV 1,050

RADIO INFLUENCE VOLTAGE DATA:

60 HERTZ TEST VOLTAGE TO GROUND kV 146
 MAXIMUM R.I.V. @ 1000 kHz μ V 500

PACKAGING INFORMATION:

NET WEIGHT, LB 293
 PACKED WEIGHT LB 320
 NO. IN STANDARD PACKAGE 1/2



4 HOLES $\phi .71$
 ON 7.87 B.C.

4 HOLES, BOTH ENDS
 5/8"-11 +.015 ON 5" B.C.

THIS DRAWING IS THE PROPERTY OF VICTOR INSULATORS, INC. AND CONTAINS PROPRIETARY AND CONFIDENTIAL INFORMATION WHICH MUST NOT BE DUPLICATED, USED, OR DISCLOSED OTHER THAN AS EXPRESSLY AUTHORIZED BY VICTOR INSULATORS, INC.

APPROVED
 By A. E. Schwalm at 9:23 am, Feb 18, 2019



Victor Insulators, Inc.
 280 Maple Avenue
 Victor, New York 14564
 Telephone: (585)924-2127
 www.victorinsulators.com

1729 S

02-15-19

TM