

S

**STATION POST**

CAT. NO. 1750 I

7.5 kV

95 kV BIL

TR 202

DIMENSIONS:

LEAKAGE DISTANCE IN 10.5

MECHANICAL VALUES:

CANTILEVER STRENGTH LB 2,000  
 TENSION STRENGTH LB 7,000  
 TORSION STRENGTH IN-LB 6,000  
 COMPRESSION STRENGTH LB 10,000

ELECTRICAL VALUES:

IMPULSE FLASHOVER-POSITIVE kV 105  
 60 HERTZ WITHSTAND-WET kV 30  
 IMPULSE WITHSTAND kV 95

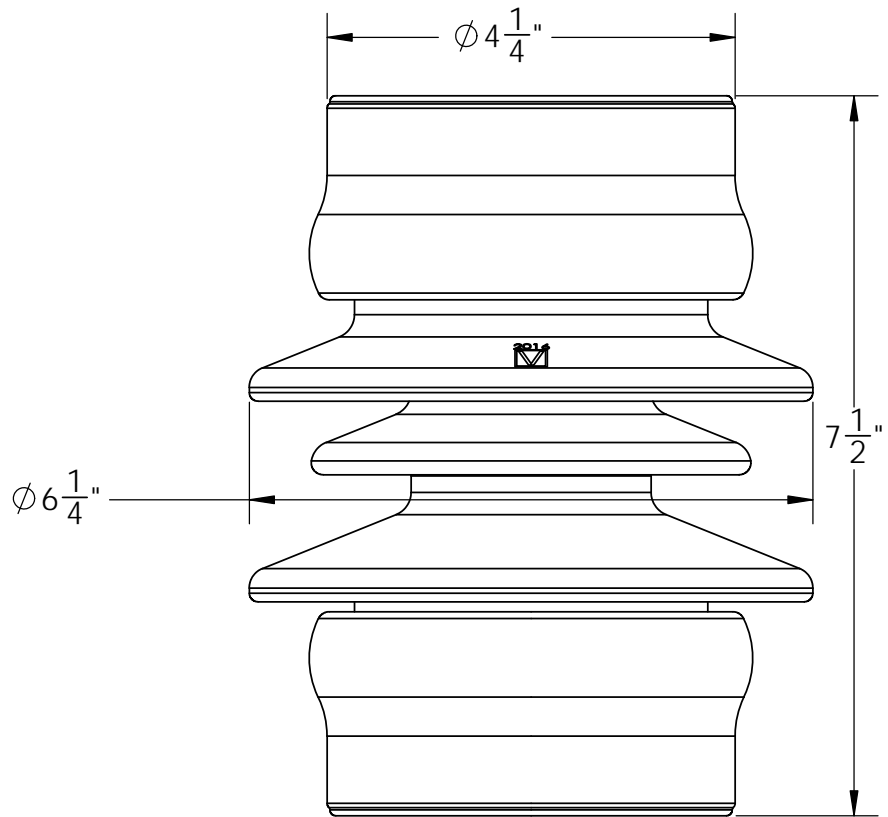
RADIO INFLUENCE VOLTAGE DATA:

60 HERTZ TEST VOLTAGE TO GROUND kV 5  
 MAXIMUM R.I.V. @ 1000 kHz  $\mu$ V 50

PACKAGING INFORMATION:

NET WEIGHT, LB 11.8  
 PACKED WEIGHT LB 14.5

- 1 ENG. MGR
- 2 ENG
- PURCH.
- 1 MKTG.
- PLT.MGR.
- COST
- PRD.
- INSP
- GLAZE
- BUSHING
- MAKING
- SHIP
- ASSEM
- MODEL
- MACH.
- 45
- TOOLING
- CER LAB
- 1 EL LAB
- 1 E.MEDIA



4 HOLES 1/2"-13 +.015  
 ON 3" B.C., BOTH ENDS

THIS DRAWING IS THE PROPERTY OF  
 VICTOR INSULATORS, INC. AND CONTAINS  
 PROPRIETARY AND CONFIDENTIAL INFORMATION  
 WHICH MUST NOT BE DUPLICATED, USED,  
 OR DISCLOSED OTHER THAN AS EXPRESSLY  
 AUTHORIZED BY VICTOR INSULATORS, INC.

**APPROVED**

By A. E. Schwalm at 10:45 pm, Apr 24, 2019



**Victor Insulators, Inc.**

280 Maple Avenue  
 Victor, New York 14564  
 Telephone: (585)924-2127  
 www.victorinsulators.com

**1750 I**

04-23-19

TM