

STATION POST

CAT. NO. 1752 I

23 kV 150 kV BIL

TR NO. 208

DIMENSIONS:

LEAKAGE DISTANCE IN 24

MECHANICAL VALUES:

CANTILEVER STRENGTH LB 2,000
 TENSION STRENGTH LB 10,000
 TORSION STRENGTH IN-LB 8,000
 COMPRESSION STRENGTH LB 10,000

ELECTRICAL VALUES:

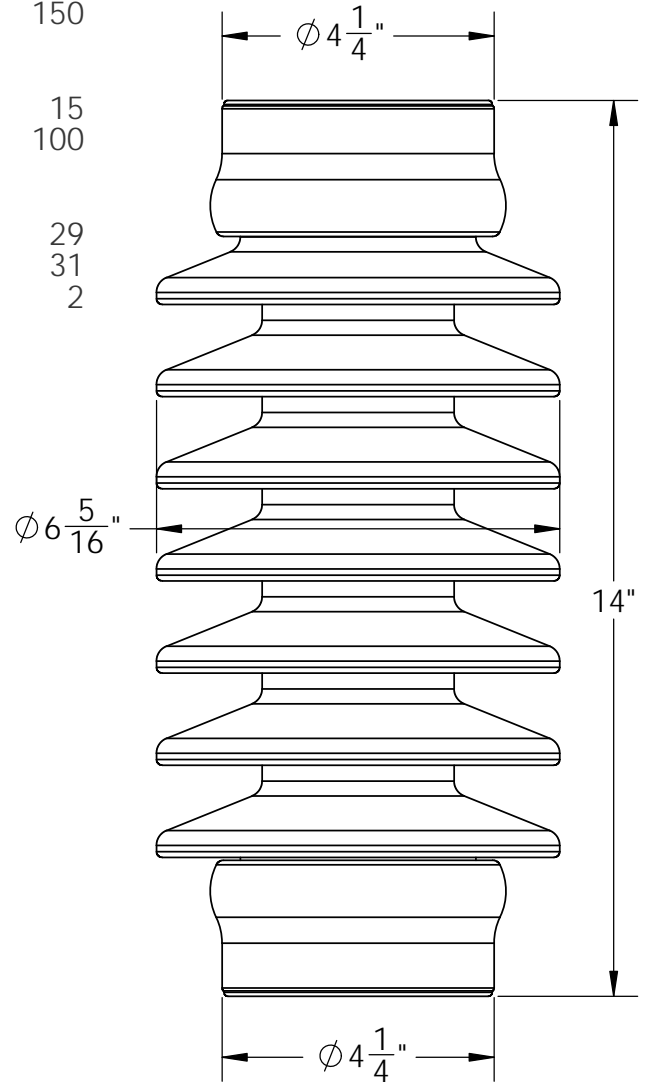
IMPULSE FLASHOVER-POSITIVE kV 170
 60 HERTZ WITHSTAND-WET kV 60
 IMPULSE WITHSTAND kV 150

RADIO INFLUENCE VOLTAGE DATA:

60 HERTZ TEST VOLTAGE TO GROUND kV 15
 MAXIMUM R.I.V. @ 1000 kHz μ V 100

PACKAGING INFORMATION:

NET WEIGHT, LB 29
 PACKED WEIGHT LB 31
 NO. IN STANDARD PACKAGE 2



4 HOLES EACH END
 1/2"-13 +.015 ON 3" B.C.

- 1 ENG. MGR
- 2 ENG
- PURCH.
- 1 MKTG.
- PLT.MGR.
- COST
- PRD.
- INSP
- GLAZE
- BUSHING
- MAKING
- SHIP
- ASSEM
- MODEL
- MACH.
- 45
- TOOLING
- CER LAB
- 1 EL LAB
- 1 E.MEDIA

THIS DRAWING IS THE PROPERTY OF
 VICTOR INSULATORS, INC. AND CONTAINS
 PROPRIETARY AND CONFIDENTIAL INFORMATION
 WHICH MUST NOT BE DUPLICATED, USED,
 OR DISCLOSED OTHER THAN AS EXPRESSLY
 AUTHORIZED BY VICTOR INSULATORS, INC.

APPROVED
 By A. E. Schwalm at 12:41 pm, Aug 12, 2015



Victor Insulators, Inc.
 280 Maple Avenue
 Victor, New York 14564
 Telephone: (585)924-2127
 www.victorinsulators.com

1752 I

07-24-15

TM