

**STATION POST**

CAT. NO. 1753 I

34.5 kV

200 kV BIL

TR NO. 210

DIMENSIONS:

LEAKAGE DISTANCE IN 37

MECHANICAL VALUES:

CANTILEVER STRENGTH LB 2,000  
 TENSION STRENGTH LB 12,000  
 TORSION STRENGTH IN-LB 10,000  
 COMPRESSION STRENGTH LB 15,000

ELECTRICAL VALUES:

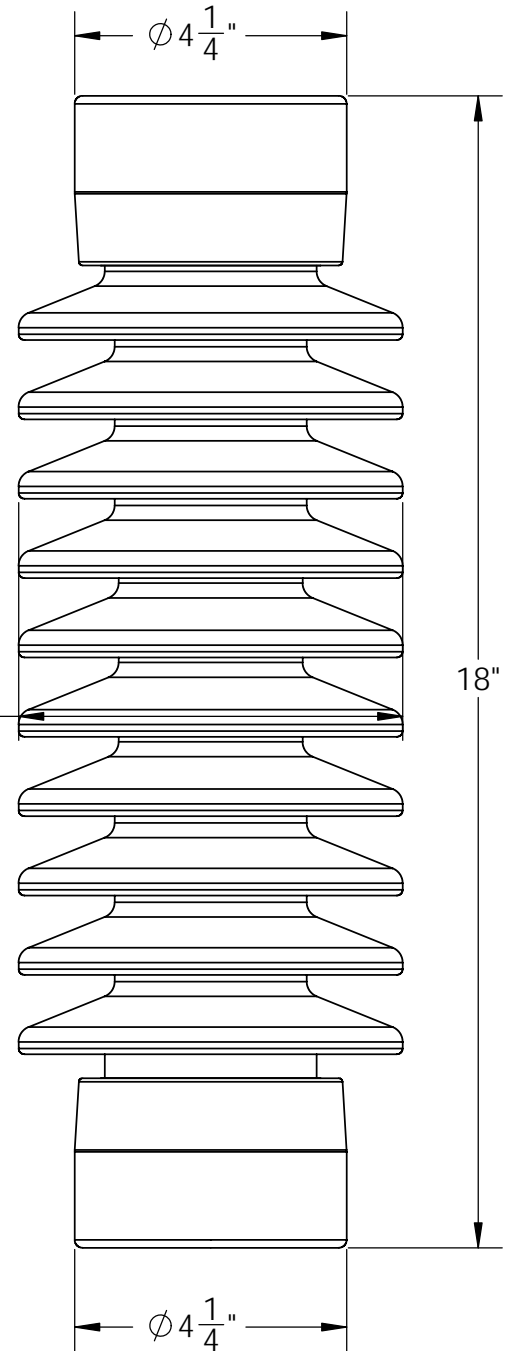
IMPULSE FLASHOVER-POSITIVE kV 225  
 60 HERTZ WITHSTAND-WET kV 80  
 IMPULSE WITHSTAND kV 200

RADIO INFLUENCE VOLTAGE DATA:

60 HERTZ TEST VOLTAGE TO GROUND kV 22  
 MAXIMUM R.I.V. @ 1000 kHz  $\mu$ V 100

PACKAGING INFORMATION:

NET WEIGHT, LB 36  
 PACKED WEIGHT LB 39  
 NO. IN STANDARD PACKAGE 2



4 HOLES 1/2"-13 +.015  
 ON 3" B.C., BOTH ENDS

- 1 ENG. MGR
- 2 ENG
- PURCH.
- 1 MKTG.
- PLT.MGR.
- COST
- PRD.
- INSP
- GLAZE
- BUSHING
- MAKING
- SHIP
- ASSEM
- MODEL
- MACH.
- 45
- TOOLING
- CER LAB
- 1 EL LAB
- 1 E.MEDIA

THIS DRAWING IS THE PROPERTY OF  
 VICTOR INSULATORS, INC. AND CONTAINS  
 PROPRIETARY AND CONFIDENTIAL INFORMATION  
 WHICH MUST NOT BE DUPLICATED, USED,  
 OR DISCLOSED OTHER THAN AS EXPRESSLY  
 AUTHORIZED BY VICTOR INSULATORS, INC.

APPROVED  
 By A. E. Schwalm at 8:02 pm, Aug 11, 2015

08-11-15

TM



**Victor Insulators, Inc.**

280 Maple Avenue  
 Victor, New York 14564  
 Telephone: (585)924-2127  
 www.victorinsulators.com

**1753 I**