

STATION POST

CAT. NO. 1754 I

46 kV 250 kV BIL

TR NO. 214

SOLID CORE PORCELAIN

- 1 ENG. MGR
- 2 ENG
- PURCH.
- 1 MKTG.
- PLT.MGR.
- COST
- PRD.
- INSP
- GLAZE
- BUSHING
- MAKING
- SHIP
- ASSEM
- MODEL
- MACH.
- 45
- TOOLING
- CER LAB
- 1 EL LAB
- 1 E.MEDIA

DIMENSIONS:

LEAKAGE DISTANCE IN 45

MECHANICAL VALUES:

CANTILEVER STRENGTH LB 2,000
 TENSION STRENGTH LB 14,000
 TORSION STRENGTH IN-LB 12,000
 COMPRESSION STRENGTH LB 15,000

ELECTRICAL VALUES:

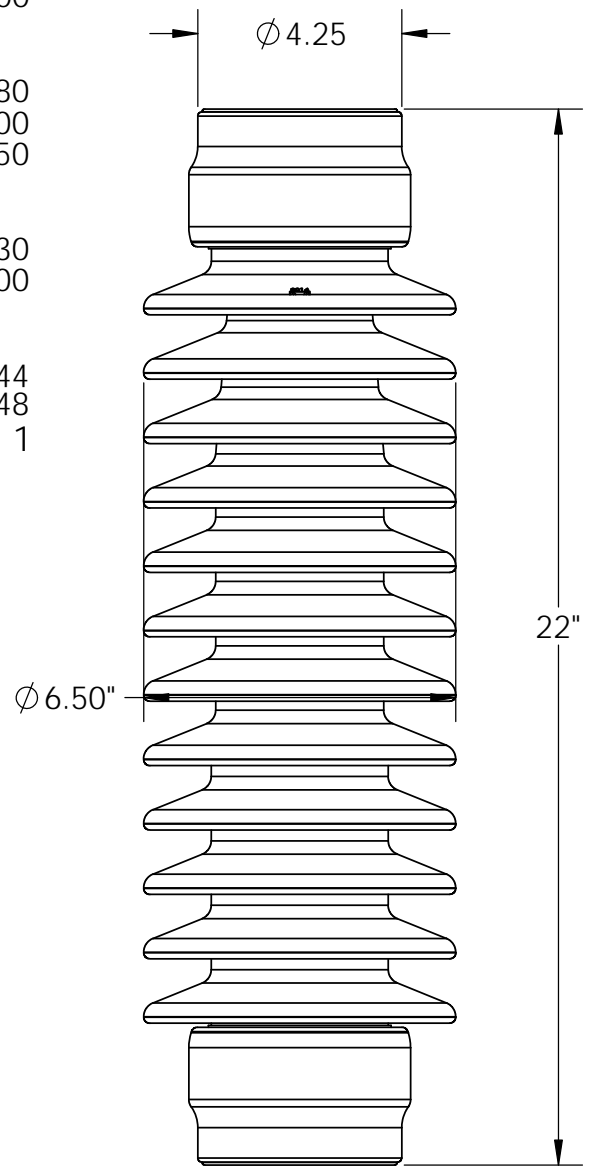
IMPULSE FLASHOVER-POSITIVE kV 280
 60 HERTZ WITHSTAND-WET kV 100
 IMPULSE WITHSTAND kV 250

RADIO INFLUENCE VOLTAGE DATA:

60 HERTZ TEST VOLTAGE TO GROUND kV 30
 MAXIMUM R.I.V. @ 1000 kHz μ V 200

PACKAGING INFORMATION:

NET WEIGHT, LB 44
 PACKED WEIGHT LB 48
 NO. IN STANDARD PACKAGE 1



4 HOLES 1/2"-13 +.015"
 ON 3" B.C. BOTH ENDS

THIS DRAWING IS THE PROPERTY OF
 VICTOR INSULATORS, INC. AND CONTAINS
 PROPRIETARY AND CONFIDENTIAL INFORMATION
 WHICH MUST NOT BE DUPLICATED, USED,
 OR DISCLOSED OTHER THAN AS EXPRESSLY
 AUTHORIZED BY VICTOR INSULATORS, INC.

APPROVED

By A. E. Schwalm at 11:39 am, Mar 08, 2017



Victor Insulators, Inc.

280 Maple Avenue
 Victor, New York 14564
 Telephone: (585)924-2127
 www.victorinsulators.com

1754 I

03-08-17

TM