

STATION POST

CAT. NO. 1755 I

69 kV 350 kV BIL

TR NO. 216

DIMENSIONS:

LEAKAGE DISTANCE IN 72

MECHANICAL VALUES:

CANTILEVER STRENGTH LB 1,500
 TENSION STRENGTH LB 16,000
 TORSION STRENGTH IN-LB 15,000
 COMPRESSION STRENGTH LB 25,000

ELECTRICAL VALUES:

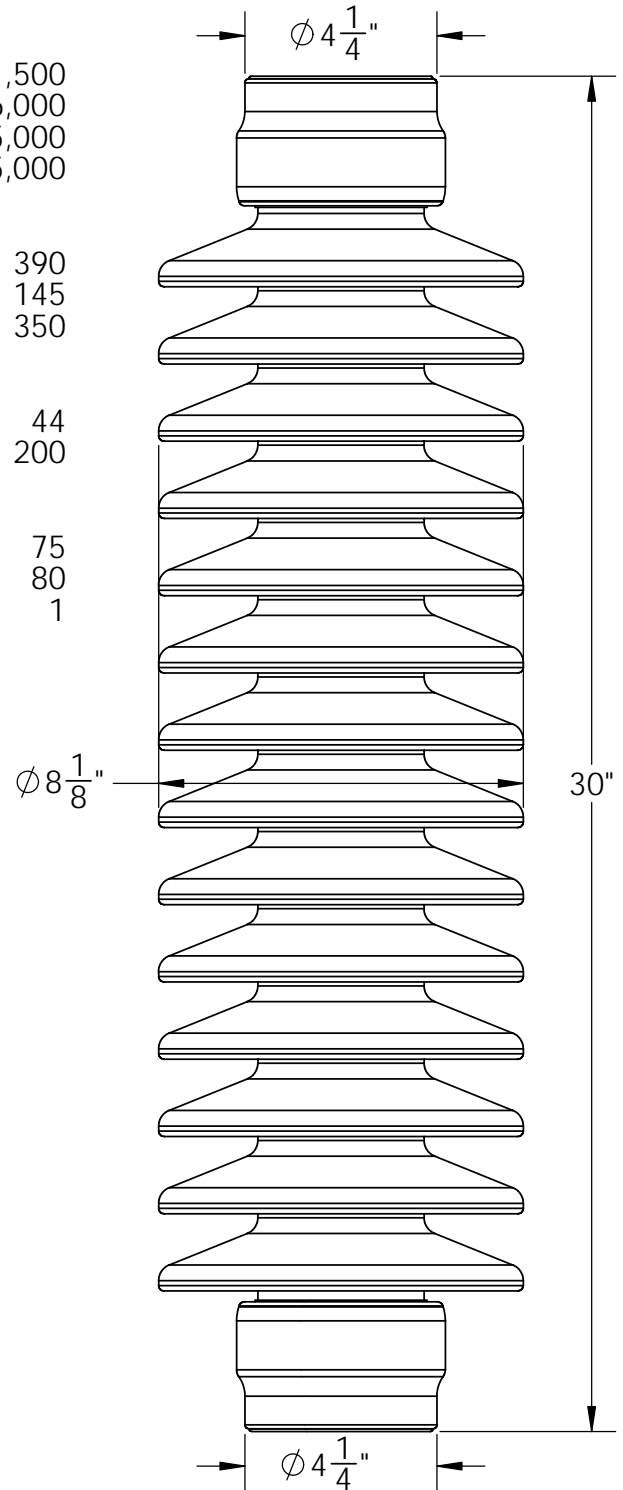
IMPULSE FLASHOVER-POSITIVE kV 390
 60 HERTZ WITHSTAND-WET kV 145
 IMPULSE WITHSTAND kV 350

RADIO INFLUENCE VOLTAGE DATA:

60 HERTZ TEST VOLTAGE TO GROUND kV 44
 MAXIMUM R.I.V. @ 1000 kHz μ V 200

PACKAGING INFORMATION:

NET WEIGHT, LB 75
 PACKED WEIGHT LB 80
 NO. IN STANDARD PACKAGE 1



4 HOLES, EACH END
 1/2"-13 +.015 ON 3" B.C.

- 1 ENG. MGR
- 2 ENG
- PURCH.
- 1 MKTG.
- PLT.MGR.
- COST
- PRD.
- INSP
- GLAZE
- BUSHING
- MAKING
- SHIP
- ASSEM
- MODEL
- MACH.
- 45
- TOOLING
- CER LAB
- 1 EL LAB
- 1 E.MEDIA

THIS DRAWING IS THE PROPERTY OF VICTOR INSULATORS, INC. AND CONTAINS PROPRIETARY AND CONFIDENTIAL INFORMATION WHICH MUST NOT BE DUPLICATED, USED, OR DISCLOSED OTHER THAN AS EXPRESSLY AUTHORIZED BY VICTOR INSULATORS, INC.

APPROVED
 By A. E. Schwalm at 11:21 am, Mar 31, 2016

03-31-16

TM

08-12-15

TM



Victor Insulators, Inc.

280 Maple Avenue
 Victor, New York 14564
 Telephone: (585)924-2127
 www.victorinsulators.com

1755 I