

S
 1 ENG. MGR
 2 ENG
 PURCH.
 1 MKTG.
 PLT.MGR.
 COST
 PRD.
 INSP
 GLAZE
 BUSHING
 MAKING
 SHIP
 ASSEM
 MODEL
 MACH.
 45
 TOOLING
 CER LAB
 1 EL LAB
 1 E.MEDIA

STATION POST	
CAT. NO. 1764 I	
46 kV	250 kV BIL
TR 267	

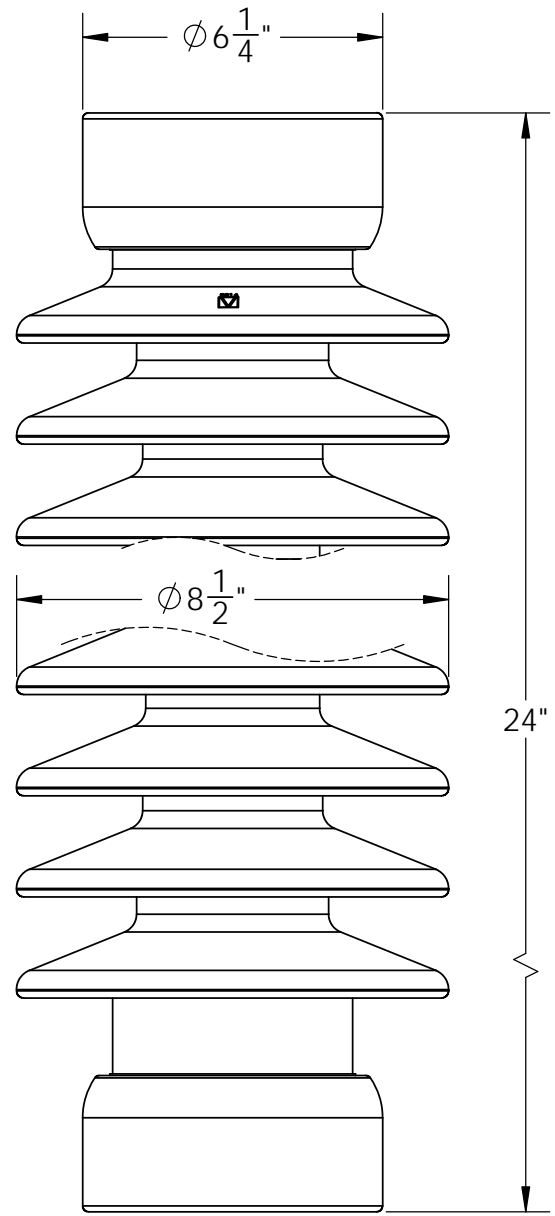
DIMENSIONS:
 LEAKAGE DISTANCE IN 43

MECHANICAL VALUES:
 CANTILEVER STRENGTH LB 4,000
 TENSION STRENGTH LB 25,000
 TORSION STRENGTH IN-LB 20,000
 COMPRESSION STRENGTH LB 60,000

ELECTRICAL VALUES:
 IMPULSE FLASHOVER-POSITIVE kV 280
 60 HERTZ WITHSTAND-WET kV 100
 IMPULSE WITHSTAND kV 250

RADIO INFLUENCE VOLTAGE DATA:
 60 HERTZ TEST VOLTAGE TO GROUND kV 30
 MAXIMUM R.I.V. @ 1000 kHz μ V 200

PACKAGING INFORMATION:
 NET WEIGHT, LB 80
 PACKED WEIGHT LB 90
 NO. IN STANDARD PACKAGE 1



4 HOLES 5/8"-11 +.015
 ON 5" B.C., BOTH ENDS

THIS DRAWING IS THE PROPERTY OF
 VICTOR INSULATORS, INC. AND CONTAINS
 PROPRIETARY AND CONFIDENTIAL INFORMATION
 WHICH MUST NOT BE DUPLICATED, USED,
 OR DISCLOSED OTHER THAN AS EXPRESSLY
 AUTHORIZED BY VICTOR INSULATORS, INC.

APPROVED
 By A. E. Schwalm at 12:51 pm, Mar 25, 2020



Victor Insulators, Inc.
 280 Maple Avenue
 Victor, New York 14564
 Telephone: (585)924-2127
 www.victorinsulators.com

1764 I

03-24-20 TM

FILE: 1764 I