

S

STATION POST	
CAT. NO. 1765 I	
69 kV	350 kV BIL
TR 278	

- 1 ENG. MGR
- 2 ENG
- PURCH.
- 1 MKTG.
- PLT.MGR.
- COST
- PRD.
- INSP
- GLAZE
- BUSHING
- MAKING
- SHIP
- ASSEM
- MODEL
- MACH.
- 45
- TOOLING
- CER LAB
- 1 EL LAB
- 1 E.MEDIA

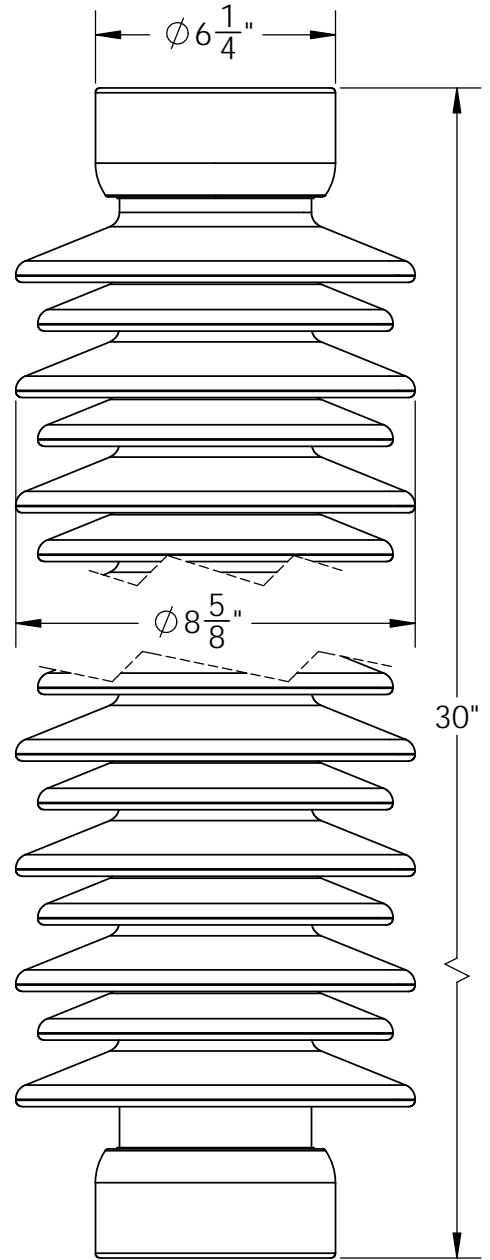
DIMENSIONS:
LEAKAGE DISTANCE IN 72

MECHANICAL VALUES:
CANTILEVER STRENGTH LB 3,000
TENSION STRENGTH LB 25,000
TORSION STRENGTH IN-LB 40,000
COMPRESSION STRENGTH LB 60,000

ELECTRICAL VALUES:
IMPULSE FLASHOVER-POSITIVE kV 390
60 HERTZ WITHSTAND-WET kV 145
IMPULSE WITHSTAND kV 350

RADIO INFLUENCE VOLTAGE DATA:
60 HERTZ TEST VOLTAGE TO GROUND kV 44
MAXIMUM R.I.V. @ 1000 kHz μ V 200

PACKAGING INFORMATION:
NET WEIGHT, LB 92
PACKED WEIGHT LB 105
NO. IN STANDARD PACKAGE 1



4 HOLES 5/8"-11 +.015
ON 5" B.C., BOTH ENDS

THIS DRAWING IS THE PROPERTY OF VICTOR INSULATORS, INC. AND CONTAINS PROPRIETARY AND CONFIDENTIAL INFORMATION WHICH MUST NOT BE DUPLICATED, USED, OR DISCLOSED OTHER THAN AS EXPRESSLY AUTHORIZED BY VICTOR INSULATORS, INC.

APPROVED
By A. E. Schwalm at 11:18 am, Mar 06, 2019

03-05-19		TM	B
11-03-17		TM	A
11-02-17		TM	

Victor Insulators, Inc.
280 Maple Avenue
Victor, New York 14564
Telephone: (585)924-2127
www.victorinsulators.com

1765 I