

S

STATION POST

CAT. NO. 1767 I

15 kV 110 kV BIL
TR 225

DIMENSIONS:

LEAKAGE DISTANCE IN 15.5

MECHANICAL VALUES:

CANTILEVER STRENGTH LB 4,000
TENSION STRENGTH LB 20,000
TORSION STRENGTH IN-LB 14,000
COMPRESSION STRENGTH LB 20,000

ELECTRICAL VALUES:

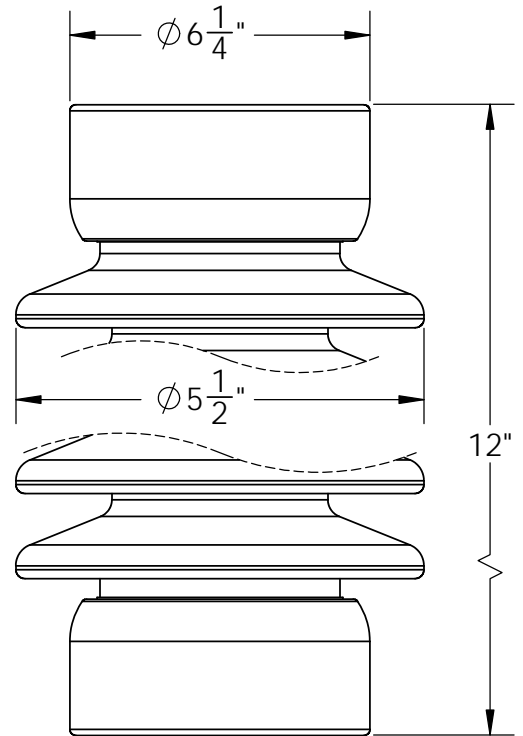
IMPULSE FLASHOVER-POSITIVE kV 125
60 HERTZ WITHSTAND-WET kV 45
IMPULSE WITHSTAND kV 110

RADIO INFLUENCE VOLTAGE DATA:

60 HERTZ TEST VOLTAGE TO GROUND kV 10
MAXIMUM R.I.V. @ 1000 kHz μ V 50

PACKAGING INFORMATION:

NET WEIGHT, LB 23
PACKED WEIGHT LB 30



4 HOLES, 5/8"-11 +.015
ON 5" B.C., BOTH ENDS

- 1 ENG. MGR
- 2 ENG
- PURCH.
- 1 MKTG.
- PLT.MGR.
- COST
- PRD.
- INSP
- GLAZE
- BUSHING
- MAKING
- SHIP
- ASSEM
- MODEL
- MACH.
- 45
- TOOLING
- CER LAB
- 1 EL LAB
- 1 E.MEDIA

THIS DRAWING IS THE PROPERTY OF VICTOR INSULATORS, INC. AND CONTAINS PROPRIETARY AND CONFIDENTIAL INFORMATION WHICH MUST NOT BE DUPLICATED, USED, OR DISCLOSED OTHER THAN AS EXPRESSLY AUTHORIZED BY VICTOR INSULATORS, INC.

APPROVED
By A. E. Schwalm at 10:46 pm, Apr 24, 2019

04-23-19

TM

03-21-17

TM



Victor Insulators, Inc.
280 Maple Avenue
Victor, New York 14564
Telephone: (585)924-2127
www.victorinsulators.com

1767 I