

STATION POST

CAT. NO. 1768 I

23 kV 150 kV BIL  
TR 227

DIMENSIONS:

LEAKAGE DISTANCE IN 24

MECHANICAL VALUES:

CANTILEVER STRENGTH LB 4,000  
TENSION STRENGTH LB 20,000  
TORSION STRENGTH IN-LB 16,000  
COMPRESSION STRENGTH LB 20,000

ELECTRICAL VALUES:

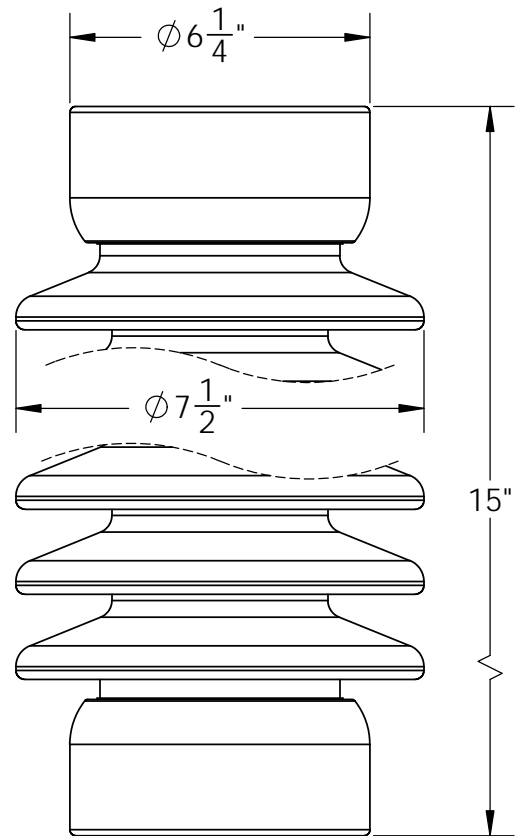
IMPULSE FLASHOVER-POSITIVE kV 170  
60 HERTZ WITHSTAND-WET kV 60  
IMPULSE WITHSTAND kV 150

RADIO INFLUENCE VOLTAGE DATA:

60 HERTZ TEST VOLTAGE TO GROUND kV 15  
MAXIMUM R.I.V. @ 1000 kHz  $\mu$ V 100

PACKAGING INFORMATION:

NET WEIGHT, LB 48  
PACKED WEIGHT LB 65  
NO. IN STANDARD PACKAGE 1



4 HOLES, 5/8"-11 +.015  
ON 5" B.C., BOTH ENDS

- 1 ENG. MGR
- 2 ENG
- PURCH.
- 1 MKTG.
- PLT.MGR.
- COST
- PRD.
- INSP
- GLAZE
- BUSHING
- MAKING
- SHIP
- ASSEM
- MODEL
- MACH.
- 45
- TOOLING
- CER LAB
- 1 EL LAB
- 1 E.MEDIA

THIS DRAWING IS THE PROPERTY OF VICTOR INSULATORS, INC. AND CONTAINS PROPRIETARY AND CONFIDENTIAL INFORMATION WHICH MUST NOT BE DUPLICATED, USED, OR DISCLOSED OTHER THAN AS EXPRESSLY AUTHORIZED BY VICTOR INSULATORS, INC.

APPROVED  
By A. E. Schwalm at 7:48 am, Mar 14, 2017



**Victor Insulators, Inc.**  
280 Maple Avenue  
Victor, New York 14564  
Telephone: (585)924-2127  
www.victorinsulators.com

1768 I

03-14-17

TM