

STATION POST

CAT. NO. 17PA20

115 kV 550 kV BIL

TR 286

DIMENSIONS:

LEAKAGE DISTANCE IN 99

MECHANICAL VALUES:

CANTILEVER STRENGTH LB 1,700
 TENSION STRENGTH LB 20,000
 TORSION STRENGTH IN-LB 40,000
 COMPRESSION STRENGTH LB 60,000

ELECTRICAL VALUES:

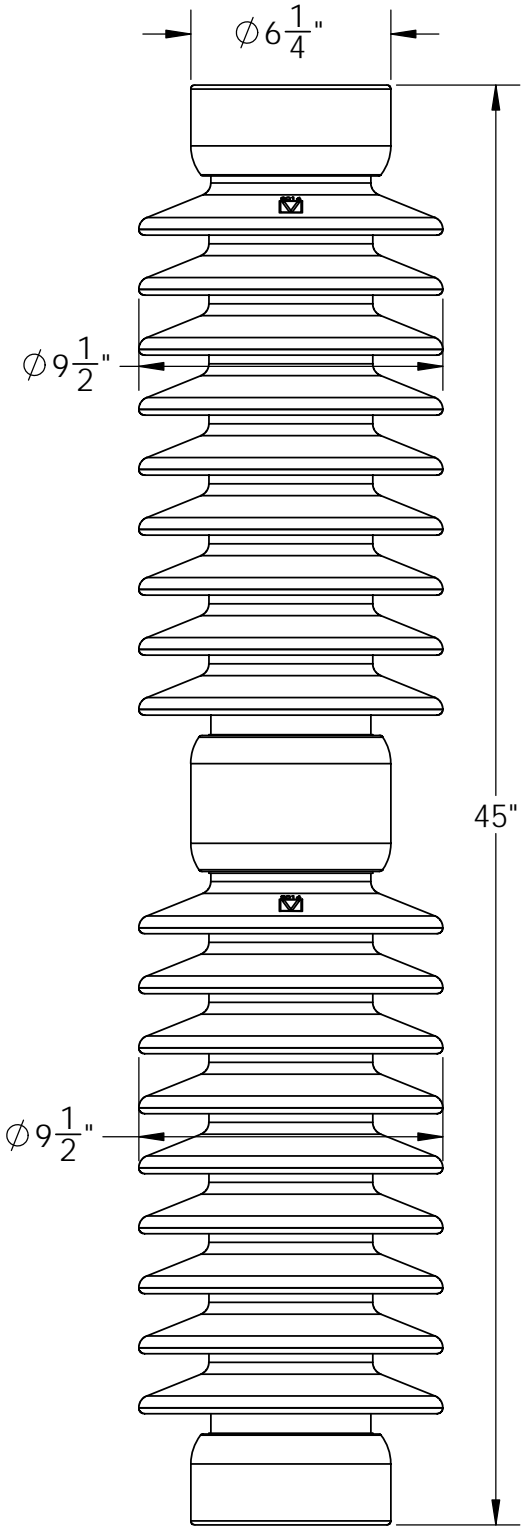
IMPULSE FLASHOVER-POSITIVE kV 610
 60 HERTZ WITHSTAND-WET kV 230
 IMPULSE WITHSTAND kV 550

RADIO INFLUENCE VOLTAGE DATA:

60 HERTZ TEST VOLTAGE TO GROUND kV 73
 MAXIMUM R.I.V. @ 1000 kHz μ V 200

PACKAGING INFORMATION:

NET WEIGHT, LB 162
 PACKED WEIGHT LB 185
 NO. IN STANDARD PACKAGE 1



4 HOLES 5/8"-11 +.015
 ON 5" B.C., BOTH ENDS

- 1 ENG. MGR
- 2 ENG
- PURCH.
- 1 MKTG.
- PLT.MGR.
- COST
- PRD.
- INSP
- GLAZE
- BUSHING
- MAKING
- SHIP
- ASSEM
- MODEL
- MACH.
- 45
- TOOLING
- CER LAB
- 1 EL LAB
- 1 E.MEDIA

THIS DRAWING IS THE PROPERTY OF
 VICTOR INSULATORS, INC. AND CONTAINS
 PROPRIETARY AND CONFIDENTIAL INFORMATION
 WHICH MUST NOT BE DUPLICATED, USED,
 OR DISCLOSED OTHER THAN AS EXPRESSLY
 AUTHORIZED BY VICTOR INSULATORS, INC.

APPROVED
 By A. E. Schwalm at 2:11 pm, May 16, 2016



Victor Insulators, Inc.
 280 Maple Avenue
 Victor, New York 14564
 Telephone: (585)924-2127
 www.victorinsulators.com

17PA20

05-16-16

TM

SUPERSEDES DWG 17PA20 DATED 10-05-09